

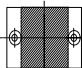
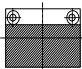
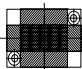
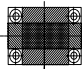








Bt1

GUIADO TROQUEL / DIE GUIDING

GUIADO TROQUEL DIE GUIDING



ÍNDICE
INDEX

Bt12		MONTAJE NORMALIZADO PORTAMATRIZ DIE SET STANDARD ASSEMBLY
Bt13		PORTAMATRICES SR DIE SET SR
Bt15		PORTAMATRICES SRA DIE SET SRA
Bt17		PORTAMATRICES SRD DIE SET SRD
Bt19		PORTAMATRICES SR4 DIE SET SR
Bt21		COLUMNA GUÍA CIS GUIDE PILLAR CIS Standard: DIN 9825 - ISO 9182-2
Bt22		COLUMNA GUÍA CIN GUIDE PILLAR CIS
Bt23		COLUMNA GUÍA CIAF GUIDE PILLAR CIAF Standard: DIN 9825 - ISO 9182-2
Bt24		COLUMNA GUÍA CPC GUIDE PILLAR CPC
Bt25		COLUMNA GUÍA CRN GUIDE PILLAR CRN
Bt26		COLUMNA GUÍA CRT GUIDE PILLAR CRT
Bt27		COLUMNA GUÍA CIW GUIDE PILLAR CIW Standard: DIN 9833
Bt28		COLUMNA GUÍA CIWH GUIDE PILLAR CIWH Standard: DIN 9833

ÍNDICE
INDEX

Bt29

**COLUMNA GUÍA CFW**GUIDE PILLAR **CFW**

Standard: DIN 9833

Bt30

**COLUMNA GUÍA CFWH**GUIDE PILLAR **CFWH**

Standard: DIN 9833

Bt31

**COLUMNA GUÍA CON VALONA CE**GUIDE PILLAR WITH COLLAR **CE**

Bt32

**COLUMNA GUÍA CON VALONA CEN**GUIDE PILLAR WITH COLLAR **CEN**

Bt33

**COLUMNA GUÍA CON VALONA CEI**GUIDE PILLAR WITH COLLAR **CEI**

Bt34

**COLUMNA GUÍA CON VALONA CEJ**GUIDE PILLAR WITH COLLAR **CEJ**

Standard: DIN 9825-4 - ISO 9182-5

Bt35

**COLUMNA GUÍA CÓNICA COCI**CONICAL GUIDE PILLAR **COCI**

Standard: DIN 9825-4 - ISO 9182-5

Bt36

**COLUMNA GUÍA CON VALONA CEV**GUIDE PILLAR WITH COLLAR **CEV**

Bt37

**COLUMNA DOBLE DIÁMETRO CDD**GUIDE PILLAR DOUBLE DIAMETER **CDD**

Bt38

**COLUMNA GUÍA CDDN**GUIDE PILLAR **CDDN**

Bt39

**CASQUILLO CÓNICO CACI**CONICAL BUSH **CACI**

Standard: DIN 9825-4 - ISO 9182-5

Bt40

**CASQUILLO GUÍA CAC - CBC**GUIDE BUSH **CAC - CBC**

ÍNDICE
INDEX

Bt41



CASQUILLO GUÍA CAV - CBV
GUIDE BUSH CAV

Bt42



CASQUILLO GUÍA CAL - CBL
GUIDE BUSH CAL - CBL

Bt43



CASQUILLO GUÍA CAA
GUIDE BUSH CAA

Bt44



CASQUILLO GUÍA CACN - CBCN
GUIDE BUSH CACN

Bt45



CASQUILLO GUÍA CAVN - CBVN
GUIDE BUSH CAVN

Bt46



CASQUILLO GUÍA CAEC - CBEC - CABEC
GUIDE BUSH CAEC

Bt47



CASQUILLO GUÍA CAEM - CBEM - CABEM
GUIDE BUSH CAEM

Bt48



CASQUILLO GUÍA CAEV - CBEV - CABEV
GUIDE BUSH CAEV

Bt49



CASQUILLO GUÍA CAEL - CBEL - CABEL
GUIDE BUSH CAEL

Bt50



CASQUILLO GUÍA CAEX - CBEX - CABEX
GUIDE BUSH CAEX

Bt51



CASQUILLO GUÍA CAIC - CABIC - CABRC
GUIDE BUSH CAIC
Standard: ISO 9448-6

Bt52



CASQUILLO GUÍA CAIV - CABIV - CABRV
GUIDE BUSH CAIV
Standard: ISO 9448-6

Bt53



CASQUILLO GUÍA CAIL - CABIL - CABRL
GUIDE BUSH CAIL
Standard: ISO 9448-6

ÍNDICE
INDEX

Bt54

**CASQUILLO GUÍA CASC - CABSC**

GUIDE BUSH CASC

Standard: ISO 9448-4

Bt55

**CASQUILLO GUÍA CASV - CABSV**

GUIDE BUSH CASV

Bt56

**CASQUILLO GUÍA CASL - CABSL**

GUIDE BUSH CASL

Standard: ISO 9448-4

Bt57

**CASQUILLO GUÍA PARA JAULA DE BOLAS CJC**

GUIDE BUSH FOR BALL CAGE CJC

Bt58

**CASQUILLO GUÍA PARA JAULA DE BOLAS CJV**

GUIDE BUSH FOR BALL CAGE CJV

Bt59

**CASQUILLO GUÍA PARA JAULA DE BOLAS CJL**

GUIDE BUSH FOR BALL CAGE CJL

Bt60

**CASQUILLO GUÍA PARA JAULA DE BOLAS CJA**

GUIDE BUSH FOR BALL CAGE CJA

Bt61

**CASQUILLO PARA JAULA DE BOLAS CJCN**

GUIDE BUSH FOR BALL CAGE CJCN

Bt62

**CASQUILLO PARA JAULA DE BOLAS CJVN**

GUIDE BUSH FOR BALL CAGE CJVN

Bt63

**CASQUILLO PARA JAULA DE BOLAS SUSPENDIDA CJSN**

GUIDE BUSH FOR HANGING BALL CJSN

Bt64

**CASQUILLO GUÍA PARA JAULA DE BOLAS CJIC**

GUIDE BUSH FOR BALL CAGE CJIC

Standard: ISO 9448-7

Bt65

**CASQUILLO GUÍA PARA JAULA DE BOLAS CJIM**

GUIDE BUSH FOR BALL CAGE CJIM

Standard: ISO 9448-7













Bt66

**CASQUILLO GUÍA PARA JAULA DE BOLAS CJIV**

GUIDE BUSH FOR BALL CAGE CJIV

Standard: ISO 9448-7

ÍNDICE INDEX

Bt67		CASQUILLO GUÍA PARA JAULA DE BOLAS CJIL GUIDE BUSH FOR BALL CAGE CJIL Standard: ISO 9448-7
Bt68		CASQUILLO GUÍA PARA JAULA DE BOLAS CJIX GUIDE BUSH FOR BALL CAGE CJIX Standard: ISO 9448-7
Bt69		CASQUILLO GUÍA PARA JAULA DE BOLAS CJSC GUIDE BUSH FOR BALL CAGE CJSC Standard: DIN 9831 / ISO 9448-5
Bt70		CASQUILLO GUÍA PARA JAULA DE BOLAS CJSV GUIDE BUSH FOR BALL CAGE CJSV Standard: DIN 9831 / ISO 9448-5
Bt71		CASQUILLO GUÍA PARA JAULA DE BOLAS CJSL GUIDE BUSH FOR BALL CAGE CJSL Standard: DIN 9831 - ISO 9448-5
Bt72		JAULA DE BOLAS JB - JBB BALL CAGE JB - JBB
Bt73		JAULA DE BOLAS JBA - JBBA BALL CAGE JBA - JBBA
Bt74		JAULA DE BOLAS JBL - JBBL BALL CAGE JBL - JBBL
Bt75		JAULA DE BOLAS JBS BALL CAGE JBS
Bt76		JAULA DE BOLAS JBD BALL CAGE JBD
Bt77		JAULA DE BOLAS JBI BALL CAGE JBI
Bt78		JAULA DE BOLAS SUSPENDIDA JBIS HANGING BALL CAGE JBIS

ÍNDICE
INDEX

Bt79



JAUOLA DE RODILLOS JBR
ROLLER CAGE [JBR](#)

Bt80



MUELLE PARA JAUOLA DE BOLAS MJB
SPRING FOR BALL CAGE [MJB](#)

Bt81



CASQUILLO DE BOLAS CON VALONA CBOV
BALL GUIDE BUSH WITH COLLAR [CBOV](#)

Bt82



CASQUILLO DE BOLAS CON VALONA CBOM
BALL GUIDE BUSH WITH COLLAR [CBOM](#)

Bt83



CASQUILLO DE BOLAS LISO CBOL
BALL GUIDE BUSH [CBOL](#)

Bt84



CASQUILLO GUÍA CBGC
GUIDE BUSH [CBGC](#)

Bt84



CASQUILLO GUÍA CBGV
GUIDE BUSH [CBGV](#)

Bt86



CASQUILLO GUÍA CBGL
GUIDE BUSH [CBGL](#)

Bt87



CASQUILLO GUÍA BGW
GUIDE BUSH [BGW](#)
Standard: DIN 9834

Bt88



CASQUILLO GUÍA BGP
GUIDE BUSH [BGP](#)
Standard: AFNOR

Bt89



CASQUILLO GUÍA BGN
GUIDE BUSH [BGN](#)

Bt90
















CASQUILLO GUÍA BGO
GUIDE BUSH [BGO](#)

Bt91



CASQUILLO GUÍA BGT
GUIDE BUSH [BGT](#)

ÍNDICE
INDEX

Bt92		CASQUILLO GUÍA BGF GUIDE BUSH BGF
Bt93		CASQUILLO GUÍA CBP GUIDE BUSH CBP
Bt94		CASQUILLO GUÍA BGA GUIDE BUSH BGA
Bt95		CASQUILLO GUÍA BGB GUIDE BUSH BGB
Bt96		ARANDELA AUTOLUBRICADA ABG OILLESS WASHER ABG
Bt97		CASQUILLO AUTOLUBRICADO A SELF-LUBRICATING BUSH A Standard: ISO 2795
Bt99		CASQUILLO AUTOLUBRICADO B SELF-LUBRICATING BUSH B
Bt100		CASQUILLO AUTOLUBRICADO GLYB SELF-LUBRICATING BUSH GLYB Standard: DIN 1494 - ISO 3548
Bt101		CASQUILLO AUTOLUBRICADO GLY SELF-LUBRICATING BUSH GLY Norma / Standard: DIN 1494 - ISO 3547
Bt103		ARANDELA PARA COLUMNA RTE WASHER FOR PILLAR RTE
Bt103		ARANDELA PARA COLUMNA RTI WASHER FOR PILLAR RTI
Bt104		BRIDA DE RETENCIÓN BRC RETAINING CLAMP BRC
Bt105		ANILLO RETENCIÓN COLUMNA ANR RETAINING RING FOR PILLAR ANR

ÍNDICE INDEX

Bt106



BRIDA RETENCIÓN COLUMNA BRCO
RETAINING CLAMP FOR PILLAR BRCO
Standard: AFNOR

Bt107



BRIDA DE RETENCIÓN BREN 5
RETAINING CLAMP BREN 5

Bt107



BRIDA DE RETENCIÓN BRE 6
RETAINING CLAMP BRE 6

Bt107



BRIDA DE RETENCIÓN BRE 8
RETAINING CLAMP BRE 8

Bt107



BRIDA DE RETENCIÓN BREA 8
RETAINING CLAMP BREA 8

Bt108



BRIDA DE RETENCIÓN BREI 6
RETAINING CLAMP BREI 6

Bt108



BRIDA DE RETENCIÓN BREI 8
RETAINING CLAMP BREI 8

Bt108



BRIDA DE RETENCIÓN BREI 8P
RETAINING CLAMP BREI 8P

Bt108



BRIDA DE RETENCIÓN BREI14
RETAINING CLAMP BREI14

Bt108



BRIDA DE RETENCIÓN BREI 23
RETAINING CLAMP BREI23

Bt109



BRIDA DE RETENCIÓN BRW
RETAINING CLAMP BRW
Norma / Standard: DIN 9832

Bt109















BRIDA DE RETENCIÓN BRM
RETAINING CLAMP BREM

Bt110



BRIDA DE RETENCIÓN BRN
RETAINING CLAMP BRN

ÍNDICE
INDEX

Bt110		BRIDA DE RETENCIÓN BRT RETAINING CLAMP BRT
Bt111		BRIDA MECANIZADA BRO TOE CLAMP BRO
Bt112		BRIDA PARA CASQUILLO BRCA CLAMP FOR BUSH BRCA Standard: AFNOR
Bt113		BRIDA PARA CASQUILLO BRCC CLAMP FOR BUSH BRCC
Bt114		TORNILLO TCI SCREW TCI Standard: ISO7380
Bt114		TORNILLO TCO SCREW TCO Standard: DIN 7991 - ISO 10642
Bt114		TORNILLO TCC SCREW TCC Standard: DIN 912
Bt115		PLACA PBGF WEAR PLATE PBGF
Bt116		PLACA PBGL WEAR PLATE PBGL
Bt117		PLACA PBGN WEAR PLATE PBGN
Bt118		PLACA PBGG - PACG WEAR PLATE PBGG
Bt119		PLACA PBGV - PACV WEAR PLATE PBGV Standard: VDI 3357

ÍNDICE
INDEX

Bt120



PLACA PSTV
WEAR PLATE PSTV
Standard: VDI 3357

Bt121



PLACA PBGW - PSTW - PACW
WEAR PLATE PBGW
Standard: VDI 3357

Bt122



PLACA PBGZ
WEAR PLATE PBGZ
Standard: VDI 3357

Bt123



PLACA PBGH - PACW
WEAR PLATE PBGH

Bt125



PLACA PBGE
WEAR PLATE PBGE

Bt127



PLACA PBGR - PACR
WEAR PLATE PBGR

Bt128



PLACÓN PAGW
PLATE PAGW
Standard: VDI 3387

Bt129



ESCUADRA EBGW
ANGULAR GUIDE EBGW

Bt131



GUÍA "V" GACH
"V" DRIVER GACH
Standard: VDI 3357

Bt132



GUÍA "V" GBGM
"V" DRIVER GBGM
Standard: VDI 3357

Bt133



GUÍA "V" GBGH
"V" DRIVER GBGH

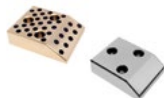
Bt134



GUÍA "V" GACM
"V" DRIVER GACM

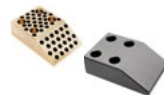
ÍNDICE INDEX

Bt135



GUÍA CARRO GBCO
CAM WEAR PLATE GBCO

Bt136



GUÍA CARRO GBGW - GACW
CAM WEAR PLATE GBGW
Standard: VDI 3357

MONTAJE NORMALIZADO PORTAMATRIZ DIE SET STANDARD ASSEMBLY

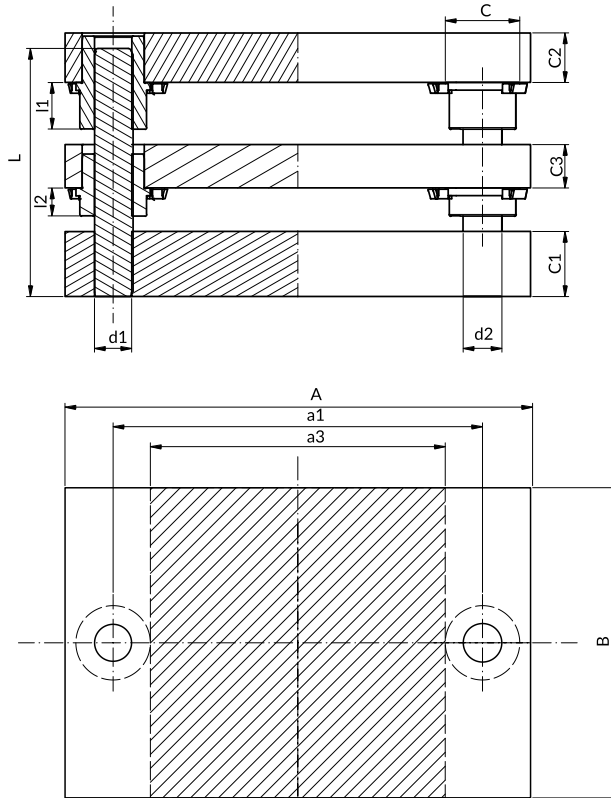
El montaje normalizado de los portamatrices se hace con la columna **CIS**. La siguiente tabla representa las distintas opciones de casquillo y su forma de pedido.
Para columnas y casquillos distintos al normalizado, indicar código en pedido.

Standard assembly of die sets with **CIS** pillar. The following chart represents the different bush options and the way to order.
For alternate pillars and bushes, specify code in your order.

BUSH MATERIAL	STANDARD (C1 and C2 plates included)		STANDARD + INTERMEDIATE PLATE (C1, C2 and C3 plates included)	
	Bush Code	How to order	Bush Code	How to order
Steel	CAV	Code + AC	CAV + CAC	Code + AC + PI
Bronze + graphite	CBGV	Code + BG	CBGV + CBGC	Code + BG + PI
Bronze	CBV	Code + BR	CBV + CBC	Code + BR + PI
For ball cage	CJV	Code + JB	CJV + CJC	Code + JB + PI

PORTAMATRICES SR DIE SET SR

Material: 1.1730



i Se fabrican todo tipo de medidas y materiales bajo pedido.
We also produce other dimensions and materials.

Code	Dimensions				Thicknesses			Bush					
	A	B	a ₁	a ₃	C ₁	C ₂	C ₃	d ₁	d ₂	L	C	l ₁	l ₂
SR 1	175	65	125	85	32	27	18	18	19	130	40	35	18
SR 2	200	65	150	110	32	27	18	18	19	130	40	35	18
SR 3	225	80	163	135	32	27	23	18	19	140	40	35	18
SR 4	250	80	188	160	32	27	23	18	19	140	40	35	18
SR 5	225	100	163	115	37	32	23	24	25	140	48	45	18
SR 6	250	100	188	140	37	32	23	24	25	140	48	45	18
SR 7	285	100	223	175	37	32	23	24	25	140	48	45	18
SR 8	325	100	263	215	37	32	23	24	25	140	48	45	18
SR 12	235	125	199	125	37	32	23	24	25	140	48	45	18
SR 13	275	125	213	165	37	32	23	24	25	140	48	45	18
SR 14	325	125	263	215	37	32	23	24	25	140	48	45	18
SR 15	365	125	313	255	37	32	23	24	25	140	48	45	18
SR 18	275	165	213	165	37	32	23	24	25	140	48	45	18
SR 20	325	165	263	215	37	32	23	24	25	140	48	45	18

Continued on next page.

How to order: see Standard Assembly (page C16)

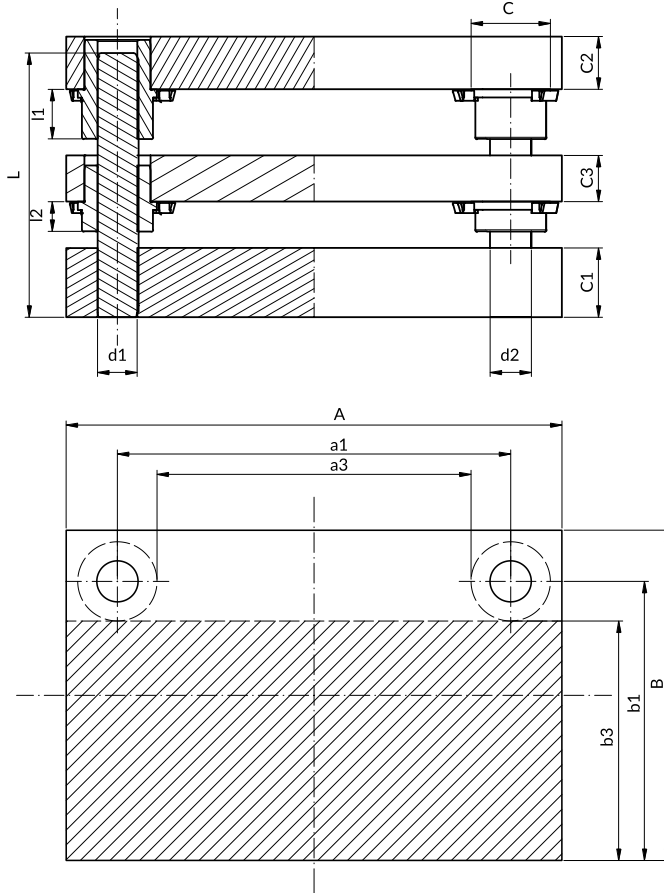
PORTAMATRICES SR DIE SET SR

Code	Dimensions				Thicknesses				Casq.				
	A	B	a ₁	a ₃	C ₁	C ₂	C ₃	d ₁	d ₂	L	C	l ₁	l ₂
SR 22	400	165	323	265	37	32	28	30	32	160	58	50	18
SR 23	450	165	373	315	37	32	28	30	32	160	58	50	18
SR 28	350	200	273	215	42	32	28	30	32	160	58	50	18
SR 29	400	200	323	265	42	32	28	30	32	160	58	50	18
SR 30	450	200	373	315	42	32	28	30	32	160	58	50	18
SR 31	500	200	423	365	42	32	28	30	32	160	58	50	18
SR 43	450	250	362	290	47	42	32	40	42	180	72	50	18
SR 44	500	250	412	340	47	42	32	40	42	180	72	50	18
SR 45	550	250	462	390	47	42	32	40	42	180	72	50	18
SR 46	600	250	512	440	47	42	32	40	42	180	72	50	18
SR 54	500	300	412	340	47	42	32	40	42	180	72	50	18
SR 55	550	300	462	390	47	42	32	40	42	180	72	50	18
SR 56	600	300	512	440	47	42	32	40	42	180	72	50	18
SR 57	650	300	562	490	47	42	32	40	42	180	72	50	18
SR 61	500	350	412	340	47	42	32	40	42	180	72	50	18
SR 62	550	350	462	390	47	42	32	40	42	180	72	50	18
SR 63	600	350	512	440	47	42	32	40	42	180	72	50	18
SR 64	650	350	562	490	47	42	32	40	42	180	72	50	18
SR 65	700	350	612	540	47	42	32	40	42	180	72	50	18
SR 67	500	400	412	340	47	42	32	40	42	180	72	50	18
SR 68	600	400	512	440	47	42	32	40	42	180	72	50	18
SR 69	700	400	612	540	47	42	32	40	42	180	72	50	18
SR 70	800	400	712	640	47	42	32	40	42	180	72	50	18
SR 71	500	450	412	340	57	47	32	40	42	200	72	50	18
SR 72	600	450	512	440	57	47	32	40	42	200	72	50	18
SR 73	700	450	612	540	57	47	32	40	42	200	72	50	18
SR 74	800	450	712	640	57	47	32	40	42	200	72	50	18
SR 76	600	500	512	440	57	47	32	40	42	225	72	50	18
SR 77	700	500	612	540	57	47	32	40	42	225	72	50	18
SR 78	800	500	712	640	57	47	32	40	42	225	72	50	18
SR 79	900	500	812	740	57	47	32	40	42	225	72	50	18
SR 80	1000	500	912	840	57	47	32	40	42	225	72	50	18
SR 81	700	600	602	520	57	47	38	50	52	225	82	55	18
SR 82	800	600	702	620	57	47	38	50	52	225	82	55	18
SR 83	900	600	802	720	57	47	38	50	52	225	82	55	18
SR 84	1000	600	902	820	57	47	38	50	52	225	82	55	18
SR 85	1200	600	1102	1020	57	47	38	50	52	225	82	55	18

How to order: see Standard Assembly (page Bt12)

PORTAMATRICES SRA DIE SET SRA

Material: 1.1730



i Se fabrican todo tipo de medidas y materiales bajo pedido.
We also produce other dimensions and materials.

Code	Dimensions							Thicknesses			Casq.				
	A	B	a ₁	a ₃	b ₁	b ₂	b ₃	C ₁	C ₂	C ₃	d	L	C	l ₁	l ₂
SRA 9	150	125	100	57	100	90	80	32	27	18	19	130	38	35	18
SRA 10	178	125	125	87	100	90	80	32	27	18	19	130	38	35	18
SRA 16	200	165	138	90	134	121	110	37	32	23	25	140	48	45	18
SRA 17	250	165	188	140	134	121	110	37	32	23	25	140	48	45	18
SRA 19	300	165	238	190	134	121	110	37	32	23	25	140	48	45	18
SRA 21	350	165	288	240	134	121	110	37	32	23	25	140	48	45	18
SRA 24	200	165	123	65	134	121	110	37	32	23	25	140	48	45	18
SRA 25	225	200	148	90	161	145	132	42	32	28	30	160	58	50	18
SRA 26	250	200	173	115	161	145	132	42	32	28	30	160	58	50	18
SRA 27	300	200	223	165	161	145	132	42	32	28	30	160	58	50	18
SRA 28	350	200	273	215	161	145	132	42	32	28	30	160	58	50	18

Continued on next page.

How to order: see Standard Assembly (page Bt12)

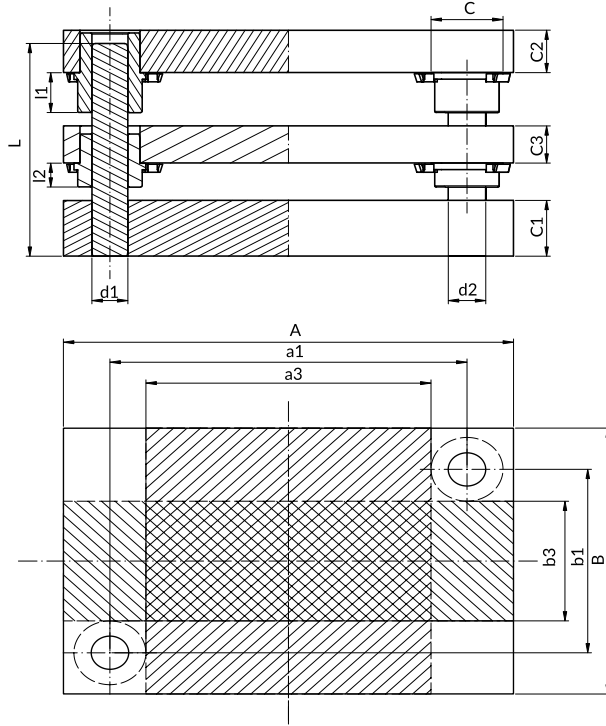
PORTAMATRICES SRA DIE SET SRA

Code	Dimensions							Thicknesses			Casq.				
	A	B	a ₁	a ₃	b ₁	b ₂	b ₃	C ₁	C ₂	C ₃	d	L	C	l ₁	l ₂
SRA 32	225	225	148	90	186	170	157	42	32	38	30	160	58	50	18
SRA 33	250	225	173	115	186	170	157	42	32	38	30	160	58	50	18
SRA 34	275	225	198	140	186	170	157	42	32	38	32	160	58	50	18
SRA 35	300	225	223	165	186	170	157	42	32	38	32	160	58	50	18
SRA 36	350	225	273	215	186	170	157	42	32	38	32	160	58	50	18
SRA 38	250	250	173	115	211	195	182	42	37	28	32	180	58	50	18
SRA 39	275	250	198	140	211	195	182	42	37	28	32	180	58	50	18
SRA 40	300	250	223	165	211	195	182	42	37	28	32	180	58	50	18
SRA 41	350	250	273	215	211	195	182	42	37	28	32	180	58	50	18
SRA 42	400	250	312	240	206	186	170	47	42	32	40	180	72	50	18
SRA 43	450	250	362	290	206	186	170	47	42	32	40	180	72	50	18
SRA 47	300	275	212	140	231	211	195	47	42	32	40	180	72	50	18
SRA 48	350	275	262	190	231	211	195	47	42	32	40	180	72	50	18
SRA 49	400	275	312	240	231	211	195	47	42	32	40	180	72	50	18
SRA 50	450	275	362	290	231	211	195	47	42	32	40	180	72	50	18
SRA 51	350	300	262	190	256	236	220	47	42	32	40	180	72	50	18
SRA 52	400	300	312	240	256	236	220	47	42	32	40	180	72	50	18
SRA 53	450	300	362	290	256	236	220	47	42	32	40	180	72	50	18
SRA 59	400	350	312	240	306	286	270	47	42	32	40	180	72	50	18
SRA 60	450	350	362	290	306	286	270	47	42	32	40	180	72	50	18
SRA 61	500	350	412	340	306	286	270	47	42	32	40	180	72	50	18
SRA 66	450	400	362	290	356	336	320	47	42	32	42	180	72	50	18
SRA 67	500	400	412	340	356	336	320	47	42	32	42	180	72	50	18
SRA 68	600	400	512	440	356	336	320	47	42	32	42	180	72	50	18
SRA 71	500	450	412	340	406	386	370	57	47	32	42	200	72	50	18
SRA 72	600	450	512	440	406	386	370	57	47	32	42	200	72	50	18
SRA 73	700	450	612	540	406	386	370	57	47	32	42	200	72	50	18
SRA 75	500	500	412	340	456	436	420	57	47	32	42	225	72	50	18
SRA 76	600	500	512	440	456	436	420	57	47	32	42	225	72	50	18
SRA 77	700	500	612	540	456	436	420	57	47	32	42	225	72	50	18
SRA 78	800	500	712	650	456	436	420	57	47	32	42	225	72	50	18
SRA 80	600	600	502	420	551	526	510	57	47	38	50	225	82	55	18
SRA 81	700	600	602	520	551	526	510	57	47	38	50	225	82	55	18
SRA 82	800	600	702	620	551	526	510	57	47	38	50	225	82	55	18
SRA 83	900	600	802	720	551	526	510	57	47	38	50	225	82	55	18

How to order: see Standard Assembly (page Bt12)

PORTAMATRICES SRD
DIE SET SRD

Material: 1.1730



i Se fabrican todo tipo de medidas y materiales bajo pedido.
We also produce other dimensions and materials.

Code	Dimensions						Thicknesses					Casq.			
	A	B	a ₁	a ₃	b ₁	b ₃	C ₁	C ₂	C ₃	d ₁	d ₂	L	C	l ₁	l ₂
SRD 9	150	125	100	60	75	35	32	27	18	18	19	130	34	35	18
SRD 11	200	125	150	110	75	35	32	27	18	18	19	130	34	35	18
SRD 16	200	165	138	90	103	55	37	32	23	24	25	140	48	45	18
SRD 17	250	165	188	140	103	55	37	32	23	24	25	140	48	45	18
SRD 19	300	165	238	190	103	55	37	32	23	24	25	140	48	45	18
SRD 24	200	200	123	65	123	65	42	32	28	30	32	160	58	50	18
SRD 25	225	200	148	90	123	65	42	32	28	30	32	160	58	50	18
SRD 26	250	200	173	115	123	65	42	32	28	30	32	160	58	50	18
SRD 27	300	200	223	165	123	65	42	32	28	30	32	160	58	50	18
SRD 28	350	200	273	216	123	65	42	32	28	30	32	160	58	50	18
SRD 32	225	225	148	90	148	90	42	32	28	30	32	160	58	50	18
SRD 33	250	225	173	115	148	90	42	32	28	30	32	160	58	50	18
SRD 35	300	225	223	165	148	90	42	32	28	30	32	160	58	50	18
SRD 36	350	225	273	215	148	90	42	32	28	30	32	160	58	50	18
SRD 37	400	225	323	265	148	90	42	32	28	30	32	160	58	50	18

Continued on next page.

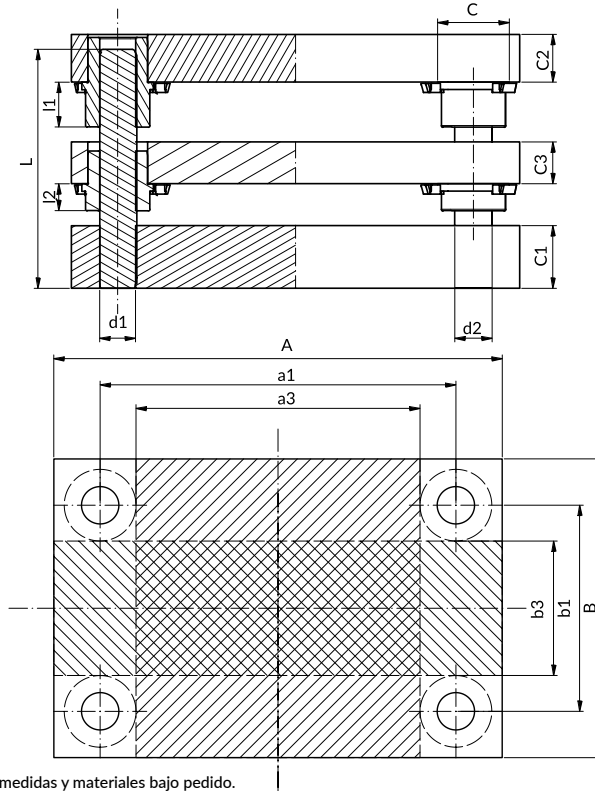
PORTAMATRICES SRD DIE SET SRD

Code	Dimensions						Thicknesses			Casq.					
	A	B	a ₁	a ₃	b ₁	b ₃	C ₁	C ₂	C ₃	d ₁	d ₂	L	C	l ₁	l ₂
SRD 38	250	250	173	115	173	115	42	37	28	30	32	180	58	50	18
SRD 40	300	250	223	165	173	115	42	37	28	30	32	180	58	50	18
SRD 41	350	250	373	215	173	115	42	37	28	30	32	180	58	50	18
SRD 42	400	250	312	240	162	90	47	42	32	40	42	180	72	50	18
SRD 43	450	250	362	290	162	90	47	42	32	40	42	180	72	50	18
SRD 44	500	250	412	340	162	90	47	42	32	40	42	180	72	50	18
SRD 46	600	250	512	440	162	90	47	42	32	40	42	180	72	50	18
SRD 51	350	300	262	190	212	140	47	42	32	40	42	180	72	50	18
SRD 52	400	300	312	240	212	140	47	42	32	40	42	180	72	50	18
SRD 53	450	300	362	290	212	140	47	42	32	40	42	180	72	50	32
SRD 54	500	300	412	340	212	140	47	42	32	40	42	180	72	50	32
SRD 56	600	300	512	440	212	140	47	42	32	40	42	180	72	50	18
SRD 59	400	350	312	240	262	190	47	42	32	40	42	180	72	50	18
SRD 60	450	350	362	290	262	190	47	42	32	40	42	180	72	50	18
SRD 61	500	350	412	340	262	190	47	42	32	40	42	180	72	50	18
SRD 63	600	350	512	440	262	190	47	42	32	40	42	180	72	50	18
SRD 65	700	350	612	540	262	190	47	42	32	40	42	180	72	50	18
SRD 66	450	400	362	290	312	240	47	42	32	40	42	180	72	50	18
SRD 67	500	400	412	340	312	240	47	42	32	40	42	180	72	50	18
SRD 68	600	400	512	440	312	240	47	42	32	40	42	180	72	50	18
SRD 69	700	400	612	540	312	240	47	42	32	40	42	180	72	50	18
SRD 70	800	400	712	640	312	240	47	42	32	40	42	180	72	50	18
SRD 71	500	450	412	340	362	290	57	47	32	40	42	200	72	50	18
SRD 72	600	450	512	440	362	290	57	47	32	40	42	200	72	50	18
SRD 73	700	450	612	540	362	290	57	47	32	40	42	200	72	50	18
SRD 74	800	450	712	640	362	290	57	47	32	40	42	200	72	50	18
SRD 76	600	500	512	440	412	340	57	47	32	40	42	225	72	50	18
SRD 77	700	500	612	540	412	340	57	47	32	40	42	225	72	50	18
SRD 78	800	500	712	640	412	340	57	47	32	40	42	225	72	50	18
SRD 79	900	500	812	740	412	340	57	47	32	40	42	225	72	50	18
SRD 81	700	600	602	520	502	420	57	47	38	50	52	225	82	55	18
SRD 82	800	600	702	620	502	420	57	47	38	50	52	225	82	55	18
SRD 83	900	600	802	720	502	420	57	47	38	50	52	225	82	55	18

How to order: see Standard Assembly (page Bt12)

PORTAMATRICES SR4
DIE SET SR4

Material: 1.1730



i Se fabrican todo tipo de medidas y materiales bajo pedido.
We also produce other dimensions and materials.

Code	Dimensions							Thicknesses			Casq.					
	A	B	a ₁	a ₃	b ₁	b ₂	b ₃	C ₁	C ₂	C ₃	d ₁	d ₂	L	C	l ₁	l ₂
SR4 9	150	125	100	60	75	56	35	32	27	18	18	19	130	38	35	16
SR4 11	200	125	150	110	75	56	35	32	27	18	18	19	130	38	35	16
SR4 16	200	165	138	90	103	78	55	37	32	23	24	25	140	48	45	18
SR4 17	250	165	188	140	103	78	55	37	32	23	24	25	140	48	45	18
SR4 19	300	165	238	190	103	78	55	37	32	23	24	25	140	48	45	18
SR4 21	350	165	288	240	103	78	55	37	32	23	24	25	140	48	45	18
SR4 25	225	200	163	115	138	113	90	42	32	23	24	25	160	47	45	18
SR4 26	250	200	188	140	138	113	90	42	32	23	24	25	160	47	45	18
SR4 27	300	200	238	190	138	113	90	42	32	34	24	25	160	47	45	18
SR4 28	350	200	273	215	123	92	65	42	32	28	30	32	160	58	50	18
SR4 29	400	200	323	265	123	92	65	42	32	28	30	32	160	58	50	18
SR4 30	450	200	373	315	123	92	65	42	32	28	30	32	160	58	50	18
SR4 40	300	250	223	165	173	142	115	42	37	28	30	32	180	58	50	18
SR4 41	350	250	273	215	173	142	115	42	37	28	30	32	180	58	50	18
SR4 42	400	250	323	265	173	142	115	42	37	28	30	32	180	58	50	18
SR4 43	450	250	373	315	173	142	115	42	37	28	30	32	180	58	50	18
SR4 44	500	250	423	365	173	142	115	42	37	28	30	32	180	58	50	18

Continued on next page.

How to order: see Standard Assembly (page Bt12)

PORTAMATRICES SR4 DIE SET SR4

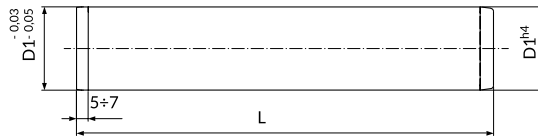
Code	Dimensions							Thicknesses			Casq.					
	A	B	a ₁	a ₃	b ₁	b ₂	b ₃	C ₁	C ₂	C ₃	d ₁	d ₂	L	C	I ₁	I ₂
SR4 51	350	300	273	215	223	192	165	42	37	28	30	32	180	58	50	18
SR4 52	400	300	323	265	223	192	165	42	37	28	30	32	180	58	50	18
SR4 53	450	300	373	315	223	192	165	42	37	28	30	32	180	58	50	18
SR4 54	500	300	423	365	223	192	165	42	37	28	30	32	180	58	50	18
SR4 56	600	300	523	465	223	192	165	42	37	28	30	32	180	58	50	18
SR4 58	700	300	623	565	223	192	165	42	37	28	30	32	180	58	50	18
SR4 59	400	350	312	240	262	221	190	47	42	32	40	42	180	72	50	18
SR4 60	450	350	362	290	262	221	190	47	42	32	40	42	180	72	50	18
SR4 61	500	350	412	340	262	221	190	47	42	32	40	42	180	72	50	18
SR4 63	600	350	512	440	262	221	190	47	42	32	40	42	180	72	50	18
SR4 65	700	350	612	540	262	221	190	47	42	32	40	42	180	72	50	18
SR4 66	450	400	362	290	312	271	240	47	42	32	40	42	180	72	50	18
SR4 67	500	400	412	340	312	271	240	47	42	32	40	42	180	72	50	18
SR4 68	600	400	512	440	312	271	240	47	42	32	40	42	180	72	50	18
SR4 69	700	400	612	540	312	271	240	47	42	32	40	42	180	72	50	18
SR4 70	800	400	712	640	312	271	240	47	42	32	40	42	180	72	50	18
SR4 71	500	450	412	340	362	321	290	57	47	32	40	42	200	72	50	18
SR4 72	600	450	512	440	362	321	290	57	47	32	40	42	200	72	50	18
SR4 73	700	450	612	540	362	321	290	57	47	32	40	42	200	72	50	18
SR4 74	800	450	712	640	362	321	290	57	47	32	40	42	200	72	50	18
SR4 76	600	500	512	440	412	371	340	57	47	32	40	42	225	72	50	18
SR4 77	700	500	612	540	412	371	340	57	47	32	40	42	225	72	50	18
SR4 78	800	500	712	640	412	371	340	57	47	32	40	42	225	72	50	18
SR4 79	900	500	812	740	412	371	340	57	47	32	40	42	225	72	50	18
SR4 80	1000	500	912	840	412	371	340	57	47	32	40	42	225	72	50	18
SR4 81	700	600	602	520	502	450	420	57	47	38	50	52	225	82	55	18
SR4 82	800	600	702	620	502	450	420	57	47	38	50	52	225	82	55	18
SR4 83	900	600	802	720	502	450	420	57	47	38	50	52	225	82	55	18
SR4 84	1000	600	902	820	502	450	420	57	47	38	50	52	225	82	55	18
SR4 85	1200	600	1102	1020	502	450	420	57	47	38	50	52	225	82	55	18
SR4 87	800	700	702	620	602	550	520	63	53	43	50	52	240	82	55	18
SR4 88	900	700	802	720	602	550	520	63	53	43	50	52	240	82	55	18
SR4 89	1000	700	902	820	602	550	520	63	53	43	50	52	240	82	55	18
SR4 90	1100	700	1002	920	602	550	520	63	53	43	50	52	240	82	55	18
SR4 91	1200	700	1102	1020	602	550	520	63	53	43	50	52	240	82	55	18
SR4 92	1400	700	1302	1220	602	550	520	63	53	43	50	52	240	82	55	18

How to order: see Standard Assembly (page Bt12)

COLUMNA GUÍA CIS
GUIDE PILLAR CIS

Material: Acero Cementación / Case Hardened Steel
 Dureza / Hardness: 61-63 HRC

STOCK



Standard: DIN 9825 - ISO 9182-2

D1	L																											
	90	100	112	120	125	130	140	150	160	170	180	190	200	210	220	224	230	240	250	260	270	280	300	315	355	400	450	500
15	•	•	•	-	•	-	•	-	•	-	•	-	•	-	•	-	•	-	•	-	•	-	•	-	•	-	•	-
16	•	•	•	-	•	-	•	-	•	-	•	-	•	-	•	-	•	-	•	-	•	-	•	-	•	-	•	-
18	-	-	-	•	-	•	•	•	•	•	•	•	•	-	-	-	-	-	-	-	-	-	-	-	-	-	-	-
19	-	•	•	•	•	•	•	•	•	•	•	•	•	-	-	-	-	-	•	-	-	-	-	-	-	-	-	-
20	-	•	•	-	•	-	•	-	•	-	•	-	•	-	•	-	•	-	•	-	•	-	•	-	•	-	•	-
24	-	-	-	-	•	-	•	•	•	•	•	•	•	•	•	•	•	•	•	•	•	•	•	•	•	•	•	•
25	-	-	-	-	•	-	•	•	•	•	•	•	•	•	•	•	•	•	•	•	•	•	•	•	•	•	•	•
30	-	-	-	-	-	•	•	•	•	•	•	•	•	•	•	•	•	•	•	•	•	•	•	•	•	•	•	•
32	-	-	-	-	•	-	•	•	•	•	•	•	•	•	•	•	•	•	•	•	•	•	•	•	•	•	•	•

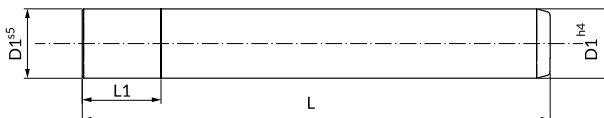
D1	L																									
	160	170	180	190	200	210	220	224	230	240	250	260	270	280	300	315	320	350	355	360	400	450	500	600	700	800
38	•	-	•	-	•	-	•	-	•	-	•	-	•	-	•	-	•	-	•	-	•	-	•	-	•	-
40	•	•	•	•	•	•	•	•	•	•	•	•	•	•	•	•	•	•	•	•	-	•	•	•	-	-
42	-	•	•	•	•	•	•	-	•	•	•	•	•	•	•	•	•	•	-	-	•	-	-	-	-	-
48	-	-	-	-	•	-	-	•	-	-	•	-	-	•	-	-	•	-	-	•	-	•	•	-	-	-
50	-	-	•	•	•	•	•	•	•	•	•	•	•	•	•	•	•	•	•	-	•	•	•	-	-	-
52	-	-	•	•	•	•	•	-	•	•	•	•	•	•	•	•	•	•	-	•	-	•	-	-	-	-
60	-	-	-	-	-	-	-	-	•	-	-	-	•	-	•	-	•	-	•	-	•	•	•	-	-	-
63	-	-	-	-	•	-	•	-	-	•	•	•	•	•	•	•	•	•	•	•	•	•	•	-	-	-
80	-	-	-	-	-	-	-	-	-	-	-	-	-	•	•	•	•	•	•	•	•	•	•	•	•	•

How to order: CIS + D1*L

COLUMNA GUÍA CIN
GUIDE PILLAR CIN

Material: Acero Cementación / Case Hardened Steel
 Dureza / Hardness: 61-63 HRC

STOCK

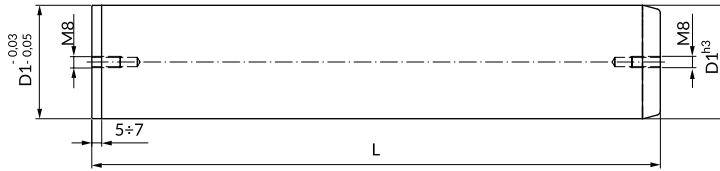


D1	L1	L															
		125	140	150	160	175	190	200	210	225	240	250	260	275	300	325	350
18	27	•	-	•	-	•	-	•	-	-	-	-	-	-	-	-	-
19	27	•	-	•	-	•	-	•	-	-	-	-	-	-	-	-	-
24	44	•	•	•	•	•	•	•	•	•	•	•	-	-	-	-	-
25	44	•	•	•	•	•	•	•	•	•	•	•	-	-	-	-	-
30	49	•	•	•	•	•	•	•	•	•	•	•	-	•	•	•	-
32	49	•	•	•	•	•	•	•	•	•	•	•	-	•	•	•	-
40	54	-	-	•	•	•	•	•	•	•	•	•	•	•	•	•	-
42	54	-	-	•	•	•	•	•	•	•	•	•	•	•	•	•	-
50	59	-	-	-	-	•	-	•	-	•	•	•	•	•	•	•	•
52	59	-	-	-	-	•	-	•	-	•	•	•	•	•	•	•	•

How to order: CIN + D1*L

COLUMNA GUÍA CIAF
GUIDE PILLAR CIAF

Materia: Acero Cementación / Case Hardened Steel
 Dureza / Hardness: 61-63 HRC



Standard: DIN 9825 - ISO 9182-2

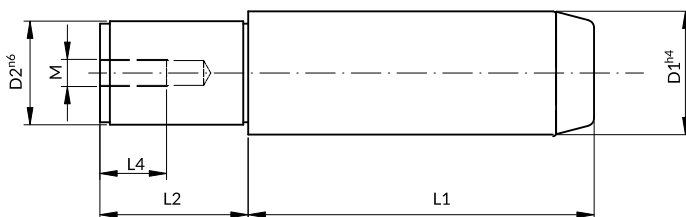
D1	L																		
	90	100	112	125	140	160	180	200	224	250	280	315	355	400	450	500	600	700	800
15	•	•	•	•	•	•	•	•	•	•	-	-	-	-	-	-	-	-	-
16	•	•	•	•	•	•	•	•	•	•	-	-	-	-	-	-	-	-	-
19	-	•	•	•	•	•	•	•	•	•	-	-	-	-	-	-	-	-	-
20	-	•	•	•	•	•	•	•	•	•	-	-	-	-	-	-	-	-	-
24	-	-	-	•	•	•	•	•	•	•	•	•	•	•	•	•	-	-	-
25	-	-	-	•	•	•	•	•	•	•	•	•	•	•	•	•	-	-	-
30	-	-	-	•	•	•	•	•	•	•	•	•	•	•	•	•	-	-	-
32	-	-	-	•	•	•	•	•	•	•	•	•	•	•	•	•	-	-	-
38	-	-	-	-	•	•	•	•	•	•	•	•	•	•	•	•	-	-	-
40	-	-	-	-	-	•	•	•	•	•	•	•	•	•	•	•	-	-	-
48	-	-	-	-	-	-	-	•	•	•	•	•	•	•	•	•	-	-	-
50	-	-	-	-	-	-	-	•	•	•	•	•	•	•	•	•	-	-	-
60	-	-	-	-	-	-	-	-	•	•	•	•	•	•	•	•	-	-	-
63	-	-	-	-	-	-	-	-	-	•	•	•	•	•	•	•	-	-	-
80	-	-	-	-	-	-	-	-	-	-	•	•	•	•	•	•	•	•	•

How to order: CIAF + D1*L

COLUMNA GUÍA CPC GUIDE PILLAR CPC

Material: Acero Cementación / Case Hardened Steel
Dureza / Hardness: 61-63 HRC

STOCK



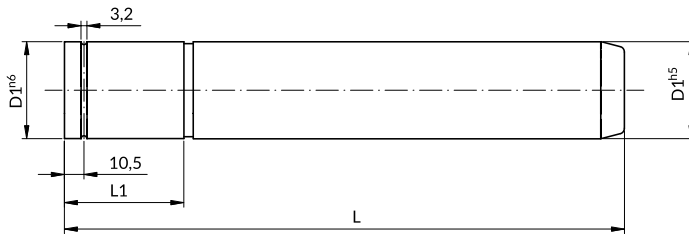
D1	D2	L2	L3	M	L4	L5	L1			
							80	100	125	140
20	16	23	6	M10	22	27	•	-	-	-
25	20	28	8	M10	22	27	-	•	-	-
40	32	50	12	M12	27	42	-	-	•	-
50	40	60	16	M12	27	42	-	-	-	•

How to order: CPC + D1*L1

COLUMNA GUÍA CRN
GUIDE PILLAR CRN

Material: Acero Cementación / Case Hardened Steel
 Dureza / Hardness : 61-63 HRC

STOCK



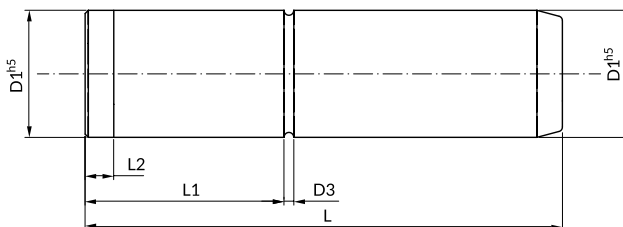
D1	L1	L												
		140	150	160	170	180	190	200	220	240	260	280	300	320
24	49	•	•	•	•	•	•	•	•	-	-	-	-	-
25	49	•	•	•	•	•	•	•	•	-	-	-	-	-
30	54	-	-	•	•	•	•	•	•	•	•	•	-	-
32	54	-	-	•	•	•	•	•	•	•	•	•	-	-
40	59	-	-	-	•	•	•	•	•	•	•	•	•	•
42	59	-	-	-	•	•	•	•	•	•	•	•	-	-
50	64	-	-	-	-	-	-	•	•	•	•	•	•	-
52	64	-	-	-	-	-	-	•	•	•	•	•	•	-

How to order: CRN + D1*L

COLUMNA GUÍA CRT GUIDE PILLAR CRT

Material: Acero Cementación / Case Hardened Steel
Dureza / Hardness: 61-63 HRC

STOCK



i Recomendación de montaje con brida [BRCO](#) y anillo [ANR](#).
Assembly recommendation with [BRCO](#) clamp and [ANR](#) ring.

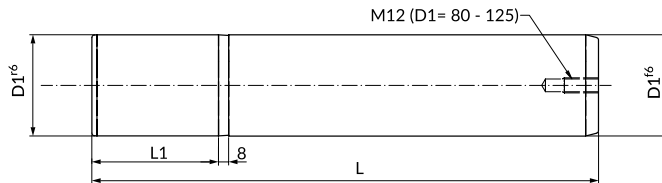
D1	D3	L1	L2	L													
				100	125	140	160	180	200	220	224	250	280	315	355	400	450
25	2,7	25	8	•	•	•	•	•	•	•	-	-	-	-	-	-	-
32	4,2	32	12	-	•	•	•	•	•	•	-	•	•	-	-	-	-
40	4,2	63	12	-	-	-	-	•	•	•	-	•	•	•	-	-	-
50	4,2	80	12	-	-	-	-	•	•	•	•	•	•	•	•	•	-
63	6,2	100	18	-	-	-	-	-	-	-	-	•	•	•	•	•	•
80	6,2	125	18	-	-	-	-	-	-	-	-	-	-	•	•	•	-
100	6,2	160	18	-	-	-	-	-	-	-	-	-	-	-	•	•	•

How to order: CRT + D1*L

COLUMNA GUÍA CIW
GUIDE PILLAR CIW

Material: Acero Cementación / Case Hardened Steel
 Dureza / Hardness: 61-63 HRC

STOCK



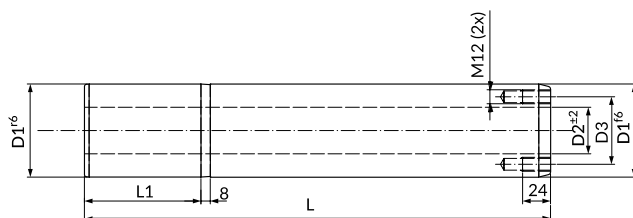
Standard: DIN 9833

D1	L1	L												
		125	140	160	180	200	224	250	280	315	355	400	450	500
25	40	•	•	•	•	•	•	-	-	-	-	-	-	-
32	45	•	•	•	•	•	•	•	-	-	-	-	-	-
40	56	-	•	•	•	•	•	•	•	-	-	-	-	-
50	70	-	-	•	•	•	•	•	•	•	•	-	-	-
63	80	-	-	-	•	•	•	•	•	•	•	•	-	-
80	100	-	-	-	-	-	•	•	•	•	•	•	•	•
100	125	-	-	-	-	-	-	-	•	-	-	-	•	•
125	140	-	-	-	-	-	-	-	-	-	•	•	•	•

How to order: CIW + D1*L

COLUMNA GUÍA CIWH
GUIDE PILLAR CIWH

Material: Acero Cementación / Case Hardened Steel
 Dureza / Hardness: 61-63 HRC



Standard: DIN 9833

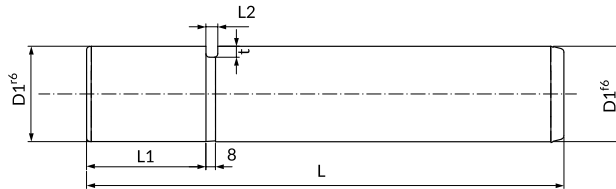
D1	D2	D3	L1	L										
				200	224	250	280	315	355	400	450	500	560	
80	40	58	100	•	•	•	•	•	•	•	•	•	•	-
100	50	72	125	-	•	•	•	•	•	•	•	•	•	-
125	65	90	140	-	-	-	-	•	•	•	•	•	•	-
160	95	132	180	-	-	-	-	-	-	•	•	•	•	•

How to order: CIWH + D1*L

COLUMNA GUÍA CFW
GUIDE PILLAR CFW

Material: Acero Cementación / Case Hardened Steel
 Dureza / Hardness: 61-63 HRC

STOCK



i Recomendación de montaje con brida **BRC**.
 Assembly recommendation with **BRC** clamp.

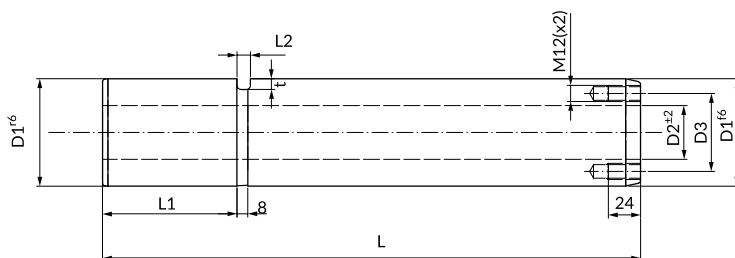
Norma / Standard: DIN 9833

D1	L1	L2	t	L												
				125	140	160	180	200	224	250	280	315	355	400	450	500
25	40	7	3	•	•	•	•	•	•	-	-	-	-	-	-	-
32	45	7	3	•	•	•	•	•	•	•	-	-	-	-	-	-
40	56	10	4	-	•	•	•	•	•	•	•	-	-	-	-	-
50	70	10	5	-	-	•	•	•	•	•	•	•	•	-	-	-
63	80	12	6,5	-	-	-	•	•	•	•	•	•	•	•	-	-
*80	100	12	8	-	-	-	-	-	•	•	•	•	•	•	•	•

*With M12 thread on tip
 How to order: CFW + D1*L

COLUMNA GUÍA CFWH GUIDE PILLAR CFWH

Material: Acero Cementación / Case Hardened Steel
Dureza / Hardness: 61-63 HRC



i Recomendación de montaje con brida [BRC](#).
Assembly recommendation with [BRC](#) clamp.

Standard: DIN 9833

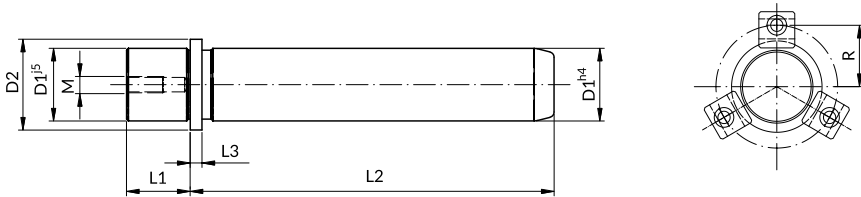
D1	D2	D3	L1	L2	t	L								
						224	250	280	315	355	400	450	500	560
80	40	58	100	12	8	•	•	•	•	•	•	-	-	-
100	50	72	125	12	10	-	-	•	•	•	•	-	-	-
125	65	90	140	12	12	-	-	-	•	•	•	•	•	-
160	95	132	180	18	15	-	-	-	-	-	•	•	•	•

How to order: CFWH + D1*L

COLUMNA GUÍA CON VALONA CEN GUIDE PILLAR WITH COLLAR CEN

Material: Acero Cementación / Case Hardened Steel
Dureza / Hardness: 61-63 HRC

STOCK



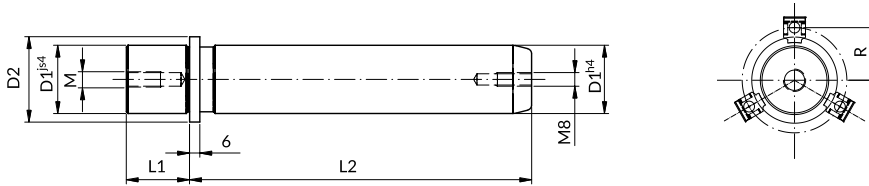
i Recomendación de montaje / Assembly recommendation.
D1 ≤ 25: 3 x BRM 25 + TCC M5X16
D1 > 25: 3 x BRW 20 + TCC M6X16

D1	D2	L1	L3	R	M	L2													
						100	110	125	140	160	180	200	220	240	260	280	315	355	400
24	33	24	5	23	M6	•	•	•	•	•	•	•	•	•	-	-	-	-	-
25	33	24	5	23	M6	•	•	•	•	•	•	•	•	•	-	-	-	-	-
30	41	30	6,5	28,5	M8	•	•	•	•	•	•	•	•	•	•	•	•	•	-
32	41	30	6,5	29,5	M8	•	•	•	•	•	•	•	•	•	•	•	•	•	-
40	51	37	6,5	33,5	M8	-	•	•	•	•	•	•	•	•	•	•	•	•	-
42	51	37	6,5	34,5	M8	-	•	•	•	•	•	•	•	•	•	•	•	•	-
50	64	45	6,5	40	M10	-	-	-	•	•	•	•	•	•	•	•	•	•	•
52	64	45	6,5	40	M10	-	-	-	•	•	•	•	•	•	•	•	•	•	•
63	76	49	6,5	46	M12	-	-	-	-	-	•	•	•	•	•	•	•	•	•
80	93	60	6,5	55	M12	-	-	-	-	-	•	•	•	•	•	•	•	•	•

How to order: CEN + D1*L2

COLUMNA GUÍA CON VALONA CEI GUIDE PILLAR WITH COLLAR CEI

Material: Acero Cementación / Case Hardened Steel
Dureza / Hardness: 61-63 HRC



i Recomendación de montaje con arandela RTI o brida BREI 6.
Assembly recommendation with RTI washer or clamp BREI 6.

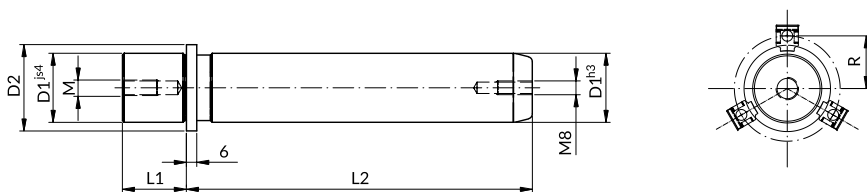
D1 < 38 : 3 x BREI 6 + TCI M6x15
D1 ≥ 38 : 4 x BREI 6 + TCI M6x15

D1	D2	L1	R	M	L2												
					100	112	125	140	160	180	200	224	250	280	315	355	400
15	22	20	16,5	M8	•	•	•	•	•	•	•	-	-	-	-	-	-
16	22	20	16,5	M8	•	•	•	•	•	•	•	-	-	-	-	-	-
19	25	23	18	M8	•	•	•	•	•	•	•	-	-	-	-	-	-
20	25	23	18	M8	•	•	•	•	•	•	•	-	-	-	-	-	-
24	32	30	21,5	M8	•	•	•	•	•	•	•	•	•	-	-	-	-
25	32	30	21,5	M8	•	•	•	•	•	•	•	•	•	-	-	-	-
30	40	37	25,5	M8	-	•	•	•	•	•	•	•	•	•	•	-	-
32	40	37	25,5	M8	-	•	•	•	•	•	•	•	•	•	•	-	-
38	50	37	30,5	M8	-	-	•	•	•	•	•	•	•	•	•	•	-
40	50	37	30,5	M8	-	-	•	•	•	•	•	•	•	•	•	•	-
48	63	47	37	M8	-	-	-	•	•	•	•	•	•	•	•	•	•
50	63	47	37	M8	-	-	-	•	•	•	•	•	•	•	•	•	•
60	80	47	45,5	M8	-	-	-	-	•	•	•	•	•	•	•	•	•
63	80	47	45,5	M8	-	-	-	-	•	•	•	•	•	•	•	•	•
80	95	60	53	M12	-	-	-	-	-	-	•	•	•	•	•	•	•

How to order CEI + D1*L2

COLUMNA GUÍA CON VALONA CEJ GUIDE PILLAR WITH COLLAR CEJ

Material: Acero Cementación / Case Hardened Steel
Dureza / Hardness: 61-63 HRC



i Recomendación de montaje con arandela RTI o brida BREI 6.
Assembly recommendation with RTI washer or clamp BREI 6.

D1 < 38 : 3 x BREI 6 + TCI M6x15
D1 ≥ 38 : 4 x BREI 6 + TCI M6x15

Standard: DIN 9825-4 - ISO 9182-5

D1	D2	L1	R	M	L2												
					100	112	125	140	160	180	200	224	250	280	315	355	400
15	22	20	16,5	M8	•	•	•	•	•	•	•	-	-	-	-	-	-
16	22	20	16,5	M8	•	•	•	•	•	•	•	-	-	-	-	-	-
19	25	23	18	M8	•	•	•	•	•	•	•	-	-	-	-	-	-
20	25	23	18	M8	•	•	•	•	•	•	•	-	-	-	-	-	-
24	32	30	21,5	M8	•	•	•	•	•	•	•	•	•	-	-	-	-
25	32	30	21,5	M8	•	•	•	•	•	•	•	•	•	-	-	-	-
30	40	37	25,5	M8	-	•	•	•	•	•	•	•	•	•	•	-	-
32	40	37	25,5	M8	-	•	•	•	•	•	•	•	•	•	•	-	-
38	50	37	30,5	M8	-	-	•	•	•	•	•	•	•	•	•	•	-
40	50	37	30,5	M8	-	-	•	•	•	•	•	•	•	•	•	•	-
48	63	47	37	M8	-	-	-	•	•	•	•	•	•	•	•	•	•
50	63	47	37	M8	-	-	-	•	•	•	•	•	•	•	•	•	•
60	80	47	45,5	M8	-	-	-	-	•	•	•	•	•	•	•	•	•
63	80	47	45,5	M8	-	-	-	-	•	•	•	•	•	•	•	•	•
80	95	60	53	M12	-	-	-	-	-	-	•	•	•	•	•	•	•

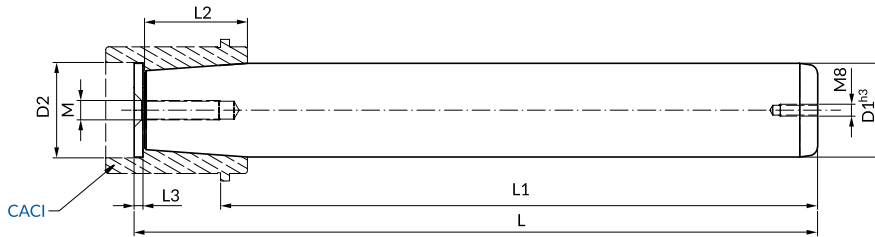
How to order: CEJ + D1*L2

COLUMNA GUÍA CÓNICA COCI CONICAL GUIDE PILLAR COCI

Material: Acero Cementación / Case Hardened Steel
Dureza / Hardness: 61-63 HRC



i Se suministra con arandela y tornillo.
Washer and screw are included.



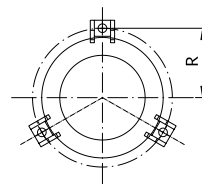
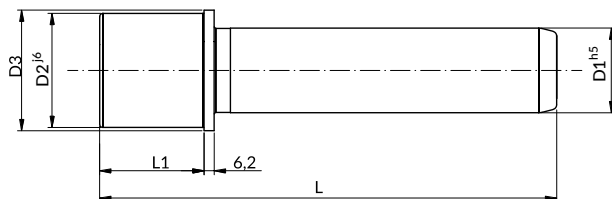
Standard: DIN 9825-4 - ISO 9182-5

D1	D2	L2	L3	M	L1											
					100	112	125	140	160	180	200	224	250	280	315	355
24	25	35	3	8	L=123	L=135	L=148	L=163	L=183	L=203	L=223	L=247	L=273	-	-	-
25	25	35	3	8	L=123	L=135	L=148	L=163	L=183	L=203	L=223	L=247	L=273	-	-	-
30	32	48	3	8	-	L=145	L=158	L=173	L=193	L=213	L=233	L=257	L=283	L=313	-	-
32	32	48	3	8	-	L=145	L=158	L=173	L=193	L=213	L=233	L=257	L=283	L=313	-	-
38	40	48	5	8	-	-	L=158	L=173	L=193	L=213	L=233	L=257	L=283	L=313	L=348	-
40	40	48	5	8	-	-	L=158	L=173	L=193	L=213	L=233	L=257	L=283	L=313	L=348	-
48	50	58	5	10	-	-	-	L=180	L=200	L=220	L=240	L=264	L=290	L=320	L=355	L=395
50	50	58	5	10	-	-	-	L=180	L=200	L=220	L=240	L=264	L=290	L=320	L=355	L=395
60	63	69	6	12	-	-	-	-	L=211	L=231	L=251	L=275	L=301	L=331	L=366	L=406
63	63	69	6	12	-	-	-	-	L=211	L=231	L=251	L=275	L=301	L=331	L=366	L=406

How to order: COCI+D1*L1

COLUMNA GUÍA CDDN
GUIDE PILLAR CDDN

Material: Acero de cementación / Hardened steel
 Dureza / Hardness: 62 ± 2 HRC



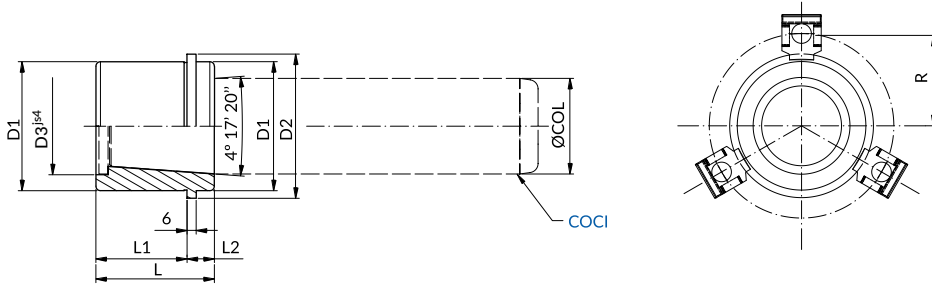
i Recomendación de montaje con brida BRE 5 (x3).
 Assembly recommendation with BRE 5 (x3).

D1	D2	D3	L1	R	L							
					140	160	180	200	220	240	260	280
24	40	44	49	27,5	•	•	•	•	•	-	-	-
25	40	44	49	27,5	•	•	•	•	•	-	-	-
30	48	52	54	31,5	-	•	•	•	•	•	-	-
32	48	52	54	31,5	-	•	•	•	•	•	-	-
40	58	62	59	36,5	-	-	•	•	•	•	•	•
42	58	62	59	36,5	-	-	•	•	•	•	•	•
50	70	74	64	42,5	-	-	-	•	•	•	•	•
52	70	74	64	42,5	-	-	-	•	•	•	•	•

How to order: CDDN + D1*L

CASQUILLO CÓNICO CACI CONICAL BUSH CACI

Material: Acero Cementación / Case Hardened Steel
Dureza / Hardness: 61-63 HRC



i Recomendación de montaje / Assembly recommendation
 Ø COL ≤ 48 : 3 x BREI 6 + TCI M6x15
 Ø COL > 48 : 4 x BREI 6 + TCI M6x15

Norma / Standard: DIN 9825-4 - ISO 9182-5

ØCOL	D1	D2	D3	L	L1	L2	R
24	40	48	26	49	37	12	30
24	40	48	26	59	47	12	30
25	40	48	26	49	37	12	30
25	40	48	26	59	47	12	30
30	48	56	33	52	37	15	33,5
30	48	56	33	62	47	15	33,5
32	48	56	33	52	37	15	33,5
32	48	56	33	62	47	15	33,5
38	58	66	41	62	47	15	38,5
38	58	66	41	75	60	15	38,5
40	58	66	41	62	47	15	38,5
40	58	66	41	75	60	15	38,5
48	70	80	51	65	47	18	45,5
48	70	80	51	78	60	18	45,5
50	70	80	51	65	47	18	45,5
50	70	80	51	78	60	18	45,5
60	85	95	64	78	60	18	53
60	85	95	64	95	77	18	53
63	85	95	64	78	60	18	53
63	85	95	64	95	77	18	53

How to order: CACI + Ø COL*L1

CASQUILLO GUÍA CAC - CBC
GUIDE BUSH CAC - CBC

CAC



CBC



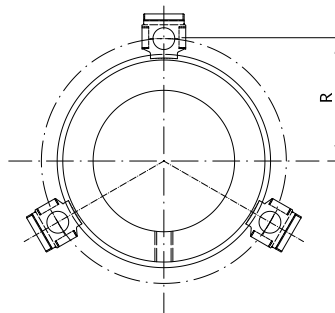
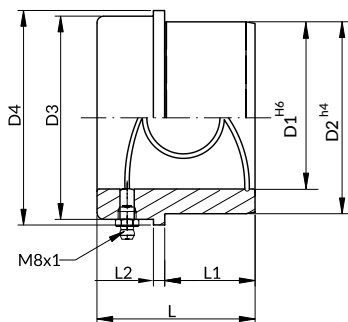
Material: Acero Cementación / Case Hardened Steel

Dureza / Hardness: 61-63 HRC

STOCK

Material: Bronce al aluminio / Aluminium bronze

Dureza / Hardness: HB > 190



Recomendación de montaje / Assembly recommendation
 D1 ≤ 63 = 3 x BRE 6 + TCI M6x15
 D1 = 80 = 3 x BRW 20

D1	D2	D3	D4	L1	L2	R	L								
							31	33	40	45	48	57	70	100	
15	28	30	34	15	5	21,5	•	-	-	-	-	-	-	-	-
16	28	30	34	15	5	21,5	•	-	-	-	-	-	-	-	-
18	32	34	38	17	5	23,5	-	•	-	-	-	-	-	-	-
19	32	34	38	17	5	23,5	-	•	-	-	-	-	-	-	-
24	40	43	48	22	5	29	-	-	•	-	-	-	-	-	-
25	40	43	48	22	5	29	-	-	•	-	-	-	-	-	-
30	48	53	58	27	5	34	-	-	-	•	-	-	-	-	-
32	48	53	58	27	5	34	-	-	-	•	-	-	-	-	-
40	58	66	72	30	5	41	-	-	-	-	•	-	-	-	-
42	58	66	72	30	5	41	-	-	-	-	•	-	-	-	-
50	68	77	82	35	5	46	-	-	-	-	-	•	-	-	-
52	68	77	82	35	5	46	-	-	-	-	-	•	-	-	-
60	85	90	95	40	5	52,5	-	-	-	-	-	-	•	-	-
63	85	90	95	40	5	52,5	-	-	-	-	-	-	•	-	-
80	100	112	120	55	6,5	65	-	-	-	-	-	-	-	-	•

How to order: CAC + D1*L
CBC + D1*L

CASQUILLO GUÍA CAV - CBV
GUIDE BUSH CAV - CBV



CAV

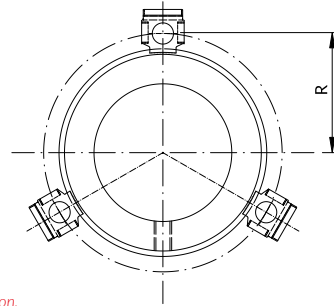
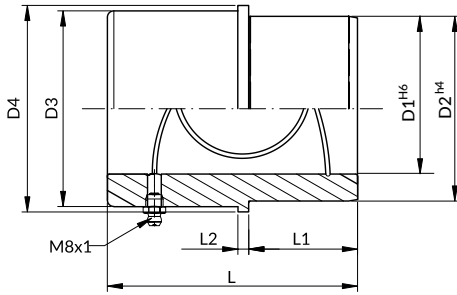


CBV

Material: Acero Cementación / Case Hardened
 Steel
Dureza / Hardness: 61-63 HRC

Material: Bronce al aluminio / Aluminium bronze
Dureza / Hardness: HB > 190

STOCK



i Recomendación de montaje / Assembly recommendation / *Assembly recommendation.*
 D1 ≤ 63 = 3 x BRE 6 + TCI M6x15
 D1 = 80 = 3 x BRW 20

D1	D2	D3	D4	L1	L2	R	L											
							50	60	65	75	80	85	100	115	125			
15	28	30	34	20	5	21,5	•	-	-	-	-	-	-	-	-	-	-	
16	28	30	34	20	5	21,5	•	-	-	-	-	-	-	-	-	-	-	
18	32	34	38	25	5	23,5	-	•	-	-	-	-	-	-	-	-	-	
19	32	34	38	25	5	23,5	-	•	-	-	-	-	-	-	-	-	-	
24	40	43	48	30	5	29	-	•	-	•	-	-	-	-	-	-	-	
25	40	43	48	30	5	29	-	•	-	•	-	-	-	-	-	-	-	
30	48	53	58	30	5	34	-	•	-	-	•	-	-	-	-	-	-	
32	48	53	58	30	5	34	-	•	-	-	•	-	-	-	-	-	-	
40	58	66	72	35	5	41	-	-	-	•	-	•	-	-	-	-	-	
42	58	66	72	35	5	41	-	-	-	•	-	-	•	-	-	-	-	
50	68	77	82	45	5	46	-	-	-	•	-	-	-	•	-	-	-	
52	68	77	82	45	5	46	-	-	-	•	-	-	-	•	-	-	-	
60	85	90	95	50	5	52,5	-	-	-	-	-	-	-	-	-	•	-	
63	85	90	95	50	5	52,5	-	-	-	-	-	-	-	-	-	•	-	
80	100	112	120	55	6,5	65	-	-	-	-	-	-	-	-	-	-	-	•

How to order: CAV + D1*L
 CBV + D1*L

CASQUILLO GUÍA CAL - CBL
GUIDE BUSH CAL - CBL

CAL



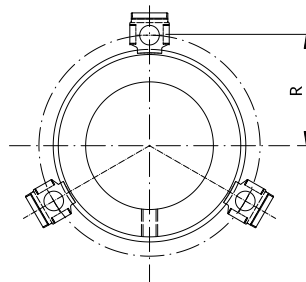
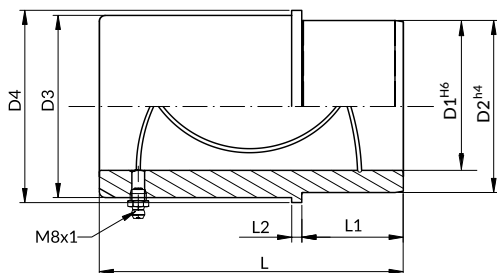
CBL



Material: Acero Cementación / Case Hardened Steel
Dureza / Hardness: 61-63 HRC

Material: Bronce al aluminio / Aluminium bronze
Dureza / Hardness: HB> 190

STOCK



i Recomendación de montaje / Assembly recommendation
D1≤63 = 3 x BRE 6 + TCI M6x15
D1=80 = 3 x BRE 8 / BREA 8 + TCI M8x20

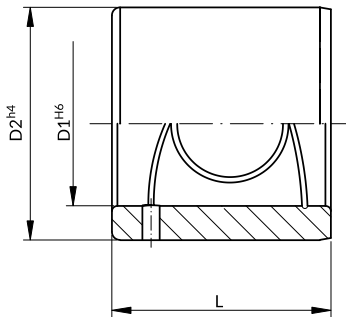
D1	D2	D3	D4	L1	L2	R	L									
							105	110	115	125	130	135	145	150	180	
18	32	34	38	25	5	23,5	•	-	-	•	-	-	-	-	-	-
19	32	34	38	25	5	23,5	•	-	-	•	-	-	-	-	-	-
24	40	43	48	30	5	29	-	•	-	-	•	-	-	-	-	-
25	40	43	48	30	5	29	-	•	-	-	•	-	-	-	-	-
30	48	53	58	30	5	34	-	•	-	-	•	-	-	-	-	-
32	48	53	58	30	5	34	-	•	-	-	•	-	-	-	-	-
40	58	66	72	35	5	41	-	-	•	-	-	•	-	-	-	-
42	58	66	72	35	5	41	-	-	•	-	-	•	-	-	-	-
50	68	77	82	45	5	46	-	-	-	•	-	-	•	-	-	-
52	68	77	82	45	5	46	-	-	-	•	-	-	•	-	-	-
60	85	90	95	50	5	52,5	-	-	-	-	•	-	-	•	-	-
63	85	90	95	50	5	52,5	-	-	-	-	•	-	-	•	-	-
80	100	112	120	55	6,5	65	-	-	-	-	-	-	-	-	-	•

How to order: CAL + D1*L
CBL + D1*L

CASQUILLO GUÍA CAA
GUIDE BUSH CAA

Material: Acero Cementación / Case Hardened Steel
 Dureza / Hardness: 61-63 HRC

STOCK



D1	D2	L									
		35	55	60	65	70	75	80	85	95	115
15	28	•	-	•	-	-	-	-	-	-	-
16	28	•	-	•	-	-	-	-	-	-	-
18	32	-	•	-	•	-	-	-	-	-	-
19	32	-	•	-	•	-	-	-	-	-	-
24	40	-	•	-	-	•	-	-	-	-	-
25	40	-	•	-	-	•	-	-	-	-	-
30	48	-	-	•	-	-	•	-	-	-	-
32	48	-	-	•	-	-	•	-	-	-	-
40	58	-	-	-	-	•	-	-	•	-	-
42	58	-	-	-	-	•	-	-	•	-	-
50	68	-	-	-	-	-	-	•	-	•	-
52	68	-	-	-	-	-	-	•	-	•	-
60	85	-	-	-	-	-	-	•	-	•	-
63	85	-	-	-	-	-	-	•	-	•	-
80	100	-	-	-	-	-	-	-	-	•	•

How to order: CAA + D1*L

CASQUILLO GUÍA CACN - CBCN
GUIDE BUSH CACN - CBCN

CACN

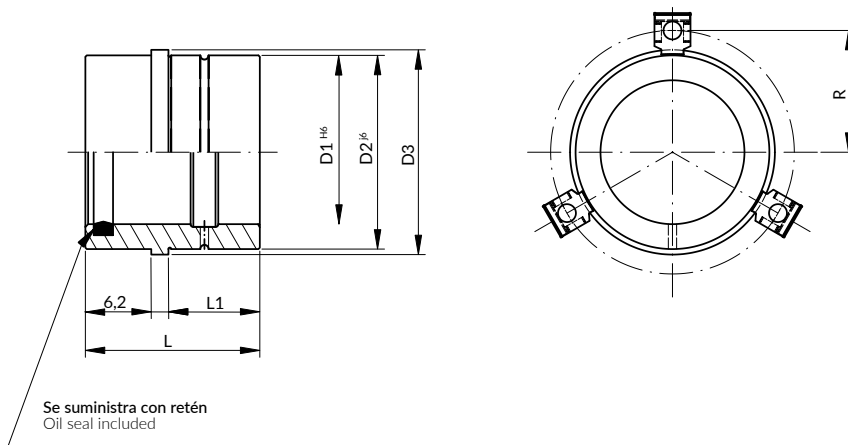


Material: Acero de cementación / Case
Hardened steel
Dureza / Hardness: 62 ± 2 HRC

CBCN



Material: Bronce al aluminio / Aluminium bronze
Dureza / Hardness: HB > 190



i Recomendación de montaje con brida BREI 6 (x3).
Assembly recommendation with BREI 6 clamp (x3).

D1	D2	D3	L1	R	L		
					47	52	63
24	40	44	25	29	•	-	-
25	40	44	25	29	•	-	-
30	48	52	30	33	-	•	-
32	48	52	30	33	-	•	-
40	58	62	33	38	-	-	•
42	58	62	33	38	-	-	•
50	70	74	33	44	-	-	•
52	70	74	33	44	-	-	•

How to order: CACN + D1*L
CBCN + D1*L

CASQUILLO GUÍA CAVN - CBVN
GUIDE BUSH CAVN - CBVN

CAVN

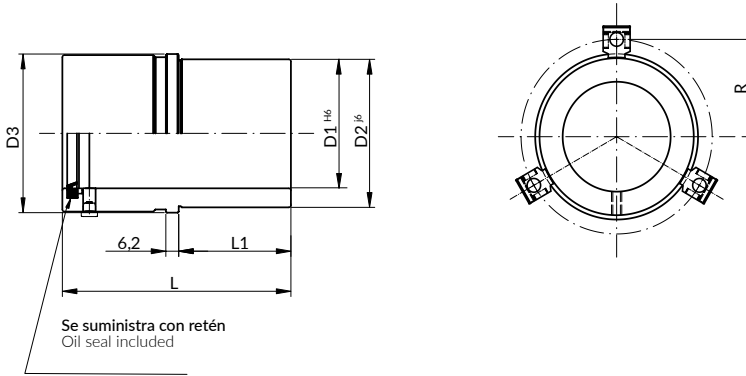


Material: Acero de cementación / Case
 Hardened steel
Dureza / Hardness: 62 ± 2 HRC

CBVN



Material:
 Bronce al aluminio / Aluminium bronze
Dureza / Hardness: HB > 190



i Recomendación de montaje con brida BREI 6 (x3).
 Assembly recommendation with BREI 6 clamp (x3).

D1	D2	D3	L1	R	L									
					64	76	80	81	90	100	110	120	130	145
24	40	44	34	29	•	-	•	-	-	-	•	-	-	-
25	40	44	34	29	•	-	•	-	-	-	•	-	-	-
30	48	52	39	33	•	-	-	-	•	-	-	•	-	-
32	48	52	39	33	•	-	-	-	•	-	-	•	-	-
40	58	62	49	38	-	•	-	-	-	•	-	-	•	-
42	58	62	49	38	-	•	-	-	-	•	-	-	•	-
50	70	74	54	44	-	-	-	•	-	-	•	-	-	•
52	70	74	54	44	-	-	-	•	-	-	•	-	-	•

How to order: CAVN + D1*L
 CBVN + D1*L

CASQUILLO GUÍA CAEC - CBEC - CABEC
GUIDE BUSH CAEC - CBEC - CABEC

CAEC



CBEC



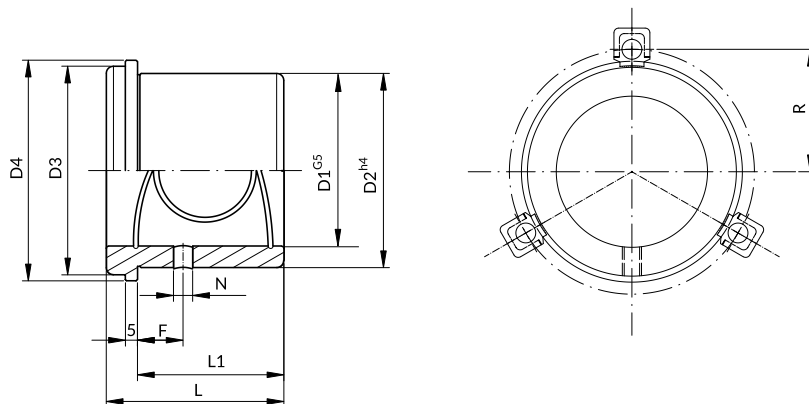
CABEC



Material: Acero Cementación / Case Hardened Steel
 Dureza / Hardness: 61-63 HRC

Material: Bronce al aluminio / Aluminium bronze
 Dureza / Hardness: HB > 190

Material: Acero Cementación + Bronce / Case Hardened Steel + Bronze
 Dureza acero / Steel hardness: 52-54 HRC



i Recomendación de montaje / Assembly recommendation
 D1 ≤ 25 : 3 x BRE 6 + TCI M6x15
 D1 > 25 : 3 x BRE 8 / BRE A 8 + TCI M8x20

D1	D2	D3	D4	L1	N	F	R	L						
								31	36	43	51	61	74	91
18	28	29	34	18	5	8	21	•	-	-	-	-	-	-
19	28	29	34	18	5	8	21	•	-	-	-	-	-	-
24	38	39	44	23	5	12	26	-	•	-	-	-	-	-
25	38	39	44	23	5	12	26	-	•	-	-	-	-	-
30	45	48	53	30	5	16	31,5	-	-	•	-	-	-	-
32	45	48	53	30	5	16	31,5	-	-	•	-	-	-	-
40	54	58	63	38	8	19	36,5	-	-	-	•	-	-	-
42	54	58	63	38	8	19	36,5	-	-	-	•	-	-	-
50	65	74	79	48	8	19	44,5	-	-	-	-	•	-	-
52	65	74	79	48	8	19	44,5	-	-	-	-	•	-	-
63	81	87	92	61	8	19	51	-	-	-	-	-	•	-
80*	100	106	111	78	8	19	60,5	-	-	-	-	-	-	•

* Sólo disponible para CBEC y CABEC / Only available for CBEC and CABEC

How to order: CAEC + D1*L
 CBEC + D1*L
 CABEC + D1*L

CASQUILLO GUÍA CAEM - CBEM - CABEM
GUIDE BUSH CAEM - CBEM - CABEM

CAEM



Material: Acero Cementación /
 Case Hardened Steel
Dureza / Hardness: 61-63 HRC

CBEM

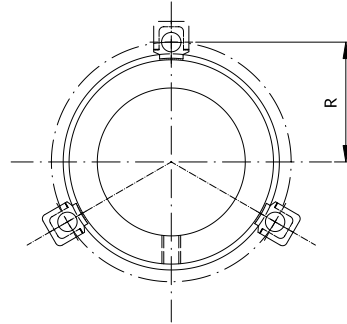
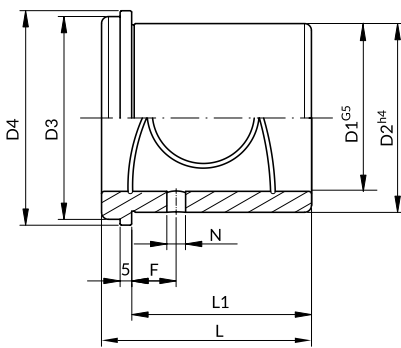


Material: Bronce al aluminio /
 Aluminium bronze
Dureza / Hardness: HB> 190

CABEM



Material: Acero Cementación +
 Bronce / Case Hardened Steel +
 Bronze
Dureza acero / Steel hardness:
 52-54 HRC



Recomendación de montaje / Assembly recommendation
 D1 ≤ 25 : 3 x BRE 6 + TCI M6x15
 D1 > 25 : 3 x BRE 8 / BRE A 8 + TCI M8x20

D1	D2	D3	D4	L1	N	F	R	L						
								50	55	60	67	75	90	
18	28	29	34	37	5	8	21	•	-	-	-	-	-	-
19	28	29	34	37	5	8	21	•	-	-	-	-	-	-
24	38	39	44	42	5	12	26	-	•	-	-	-	-	-
25	38	39	44	42	5	12	26	-	•	-	-	-	-	-
30	45	48	53	47	5	16	31,5	-	-	•	-	-	-	-
32	45	48	53	47	5	16	31,5	-	-	•	-	-	-	-
40	54	58	63	54	8	19	36,5	-	-	-	•	-	-	-
42	54	58	63	54	8	19	36,5	-	-	-	•	-	-	-
50	65	74	79	62	8	19	44,5	-	-	-	-	-	•	-
52	65	74	79	62	8	19	44,5	-	-	-	-	-	•	-
63	81	87	92	77	8	19	51	-	-	-	-	-	-	•

How to order: CAEM + D1*L
 CBEM + D1*L
 CABEM + D1*L

CASQUILLO GUÍA CAEV - CBEV - CABEV
GUIDE BUSH CAEV - CBEV - CABEV

CAEV



Material: Acero Cementación /
 Case Hardened Steel
Dureza / Hardness: 61-63 HRC

CBEV

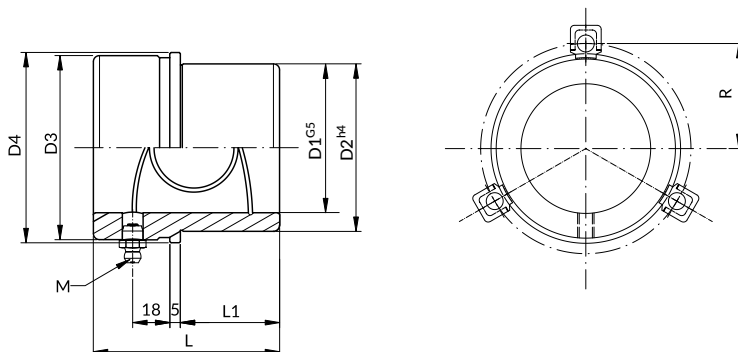


Material: Bronce al aluminio /
 Aluminium bronze
Dureza / Hardness: HB> 190

CABEV



Material: Acero Cementación +
 Bronce / Case Hardened Steel
 + Bronze
Dureza acero / Steel hardness:
 52-54 HRC



Recomendación de montaje / Assembly recommendation
 D1 ≤ 25 : 3 x BRE 6 + TCI M6x15
 D1 > 25 : 3 x BRE 8 / BRE 8 + TCI M8x20

D1	D2	D3	D4	L1	M	R	L							
							50	55	60	67	75	90	100	
18	28	31	34	18	M6x1	21	•	-	-	-	-	-	-	-
19	28	31	34	18	M6x1	21	•	-	-	-	-	-	-	-
24	38	41	44	23	M10x1	26	-	•	-	-	-	-	-	-
25	38	41	44	23	M10x1	26	-	•	-	-	-	-	-	-
30	45	50	53	26	M10x1	31,5	-	-	•	-	-	-	-	-
32	45	50	53	26	M10x1	31,5	-	-	•	-	-	-	-	-
40	54	60	63	30	M10x1	36,5	-	-	-	•	-	-	-	-
42	54	60	63	30	M10x1	36,5	-	-	-	•	-	-	-	-
50	65	76	79	35	M10x1	44,5	-	-	-	-	•	-	-	-
52	65	76	79	35	M10x1	44,5	-	-	-	-	•	-	-	-
63	81	89	92	48	M10x1	51	-	-	-	-	-	•	-	-
80*	100	108	111	48	M10x1	60,5	-	-	-	-	-	-	-	•

How to order: CAEV + D1*L
 CBEV + D1*L
 CABEV + D1*L

* Sólo para CBEV y CABEV / Only for CBEV and CABEV

CASQUILLO GUÍA CAEL - CBEL - CABEL
GUIDE BUSH CAEL - CBEL - CABEL

CAEL



Material: Acero Cementación /
 Case Hardened Steel
 Dureza / Hardness: 61-63 HRC

CBEL

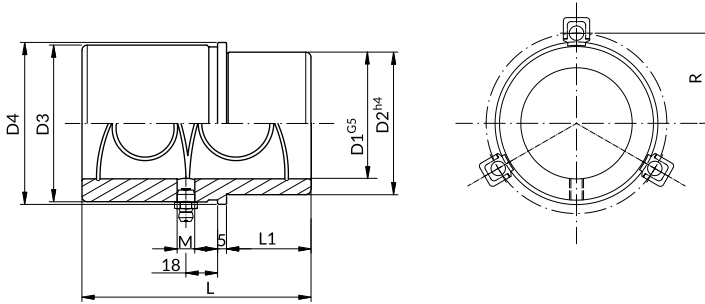


Material: Bronce al aluminio /
 Aluminium bronze
 Dureza / Hardness: HB> 190

CABEL



Material: Acero Cementación +
 Bronce / Case Hardened Steel
 + Bronze
 Dureza acero/ Steel Hardness:
 52-54 HRC



i Recomendación de montaje / Assembly recommendation
 D1 ≤ 25 : 3 x BRE 6 + TCI M6x15
 D1 > 25 : 3 x BRE 8 / BRE A 8 + TCI M8x20

D1	D2	D3	D4	L1	M	R	L						
							70	80	90	100	110	130	150
18	28	31	34	18	M6x1	21	•	-	-	-	-	-	-
19	28	31	34	18	M6x1	21	•	-	-	-	-	-	-
24	38	41	44	23	M10x1	26	-	•	-	-	-	-	-
25	38	41	44	23	M10x1	26	-	•	-	-	-	-	-
30	45	50	53	26	M10x1	31,5	-	-	•	-	-	-	-
32	45	50	53	26	M10x1	31,5	-	-	•	-	-	-	-
40	54	60	63	30	M10x1	36,5	-	-	-	•	-	-	-
42	54	60	63	30	M10x1	36,5	-	-	-	•	-	-	-
50	65	76	79	35	M10x1	44,5	-	-	-	-	•	-	-
52	65	76	79	35	M10x1	44,5	-	-	-	-	•	-	-
63	81	89	92	48	M10x1	51	-	-	-	-	-	•	-
80*	100	108	111	48	M10x1	60,5	-	-	-	-	-	-	•

How to order: CAEL + D1*L
 CBEL + D1*L
 CABEL + D1*L

* Sólo para CBEL y CABEL / Only for CBEL and CABEL

CASQUILLO GUÍA CAEX - CBEX - CABEX
GUIDE BUSH CAEX - CBEX - CABEX

CAEX



Material: Acero Cementación /
 Case Hardened Steel
 Dureza / Hardness: 61-63 HRC

CBEX

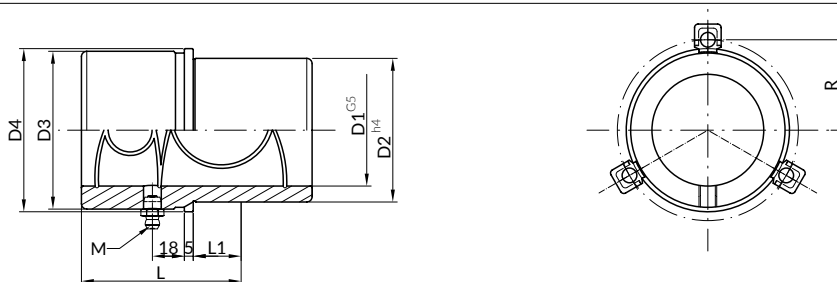


Material: Bronce al aluminio /
 Aluminium bronze
 Dureza / Hardness: HB > 190

CABEX



Material: Acero Cementación +
 Bronce / Case Hardened Steel +
 Bronze
 Dureza acero / Steel hardness:
 52-54 HRC



Recomendación de montaje / Assembly recommendation
 D1 ≤ 25 : 3 x BRE 6 + TCI M6x15
 D1 > 25 : 3 x BRE 8 / BRE A 8 + TCI M8x20

D1	D2	D3	D4	L1	M	R	L							
							70	80	90	100	110	130	150	
18	28	31	34	27	M6x1	21	•	-	-	-	-	-	-	-
19	28	31	34	27	M6x1	21	•	-	-	-	-	-	-	-
24	38	41	44	32	M10x1	26	-	•	-	-	-	-	-	-
25	38	41	44	32	M10x1	26	-	•	-	-	-	-	-	-
30	45	50	53	37	M10x1	31,5	-	-	•	-	-	-	-	-
32	45	50	53	37	M10x1	31,5	-	-	•	-	-	-	-	-
40	54	60	63	47	M10x1	36,5	-	-	-	•	-	-	-	-
42	54	60	63	47	M10x1	36,5	-	-	-	•	-	-	-	-
50	65	76	79	57	M10x1	44,5	-	-	-	-	•	-	-	-
52	65	76	79	57	M10x1	44,5	-	-	-	-	•	-	-	-
63	81	89	92	67	M10x1	51	-	-	-	-	-	•	-	-
80*	100	108	111	77	M10x1	60,5	-	-	-	-	-	-	-	•

* Sólo para CBEX y CABEX / Only for CBEX and CABEX

How to order: CAEX + D1*L
 CBEX + D1*L
 CABEX + D1*L

CASQUILLO GUÍA CAIC - CABIC - CABRC
GUIDE BUSH CAIC - CABIC - CABRC

CAIC



Material: Acero Cementación* /
 Case Hardened Steel*
 Dureza / Hardness: 61-63 HRC

CABIC



Material: Acero Cementación +
 Bronce / Case Hardened Steel +
 Bronze
 Dureza acero / Steel hardness:
 52-54 HRC

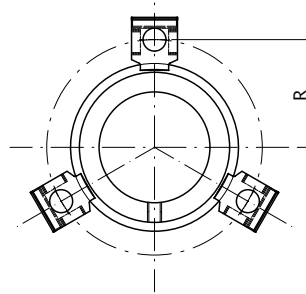
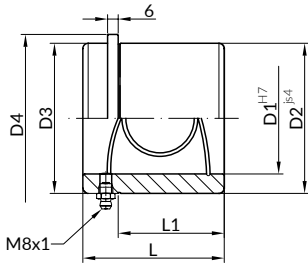
CABRC



Material: C45 plaeado
 en bronce / C45 bronze plated
 Dureza / Hardness: 54-58 HRC

* Buenas propiedades antifricción con un coeficiente de 0,06 se desarrollan a través de la combinación de polímeros fluorados y grafito.

Good anti-seized properties and low friction coefficient (0,06) are developed through the combination of fluopolymers and graphite



i Recomendación de montaje / Assembly recommendation
 D1 < 38 : 3 x BREI 6 + TCI M6x15
 D1 ≥ 38 : 4 x BREI 6 + TCI M6x1

Standard: ISO 9448-6

D1	D2	D3	D4	L1	R	L				
						35	42	52	65	80
19	32	32	40	23	26	•	-	-	-	-
20	32	32	40	23	26	•	-	-	-	-
24	40	40	48	23	30	•	-	-	-	-
25	40	40	48	23	30	•	-	-	-	-
30	48	48	56	30	33,5	-	•	-	-	-
32	48	48	56	30	33,5	-	•	-	-	-
38	58	58	66	37	38,5	-	-	•	-	-
40	58	58	66	37	38,5	-	-	•	-	-
48	70	70	80	47	45,5	-	-	-	•	-
50	70	70	80	47	45,5	-	-	-	•	-
60	85	85	95	60	53	-	-	-	-	•
63	85	85	95	60	53	-	-	-	-	•
80*	105	105	118	20	60	-	-	-	-	•

How to order: CAIC + D1*L
 CABIC + D1*L
 CABRC + D1*L

* Sólo para CABIC / Only for CABIC

CASQUILLO GUÍA CAIV - CABIV - CABRV
GUIDE BUSH CAIV - CABIV - CABRV

CAIV



Material: Acero Cementación* / Case Hardened Steel*
Dureza: 61-63 HRC

CABIV



Material: Acero Cementación + Bronce / Case Hardened Steel + Bronze
Dureza acero / Steel hardness: 52-54 HRC

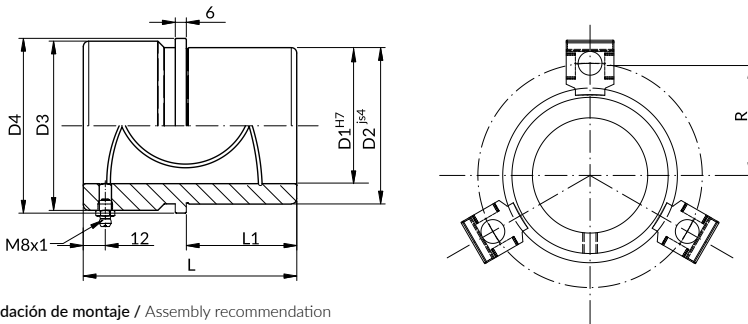
CABRV



Material: C45 plaeado en bronce / C45 bronze plated
Dureza / Hardness: 54-58 HRC

* Buenas propiedades antifricción con un coeficiente de 0,06 se desarrollan a través de la combinación de polímeros fluorados y grafito.

Good anti-seized properties and low friction coefficient (0,06) are developed through the combination of fluoropolymers and graphite



Recomendación de montaje / Assembly recommendation
 D1 < 38 : 3 x BREI 6 + TCI M6x15
 D1 ≥ 38 : 4 x BREI 6 + TCI M6x15

Standard: ISO 9448-6

D1	D2	D3	D4	L1	R	L						
						43	59	75	82	97	116	120
19	32	39	40	23	26	•	-	-	-	-	-	-
20	32	39	40	23	26	•	-	-	-	-	-	-
24	40	46	48	23	30	-	•	-	-	-	-	-
25	40	46	48	23	30	-	•	-	-	-	-	-
30	48	53	56	30	33,5	-	-	•	-	-	-	-
32	48	53	56	30	33,5	-	-	•	-	-	-	-
38	58	63	66	37	38,5	-	-	-	•	-	-	-
40	58	63	66	37	38,5	-	-	-	•	-	-	-
48	70	77	80	47	45,5	-	-	-	-	•	-	-
50	70	77	80	47	45,5	-	-	-	-	•	-	-
60	85	92	95	60	53	-	-	-	-	-	•	-
63	85	92	95	60	53	-	-	-	-	-	•	-
80*	105	115	118	60	64,5	-	-	-	-	-	-	•

* Sólo para CABIV / Only for CABIV

How to order: CAIV + D1*L
 CABIV + D1*L
 CABRV + D1*L

CASQUILLO GUÍA CAIL - CABIL - CABRL
GUIDE BUSH CAIL - CABIL - CABRL

CAIL



Material: Acero
 Cementación* / Case Hardened
 Steel *
 Dureza / Hardness: 61-63 HRC

CABIL



Material: Acero Cementación +
 Bronce / Case Hardened Steel +
 Bronze
 Dureza acero / Steel hardness:
 52-54 HRC

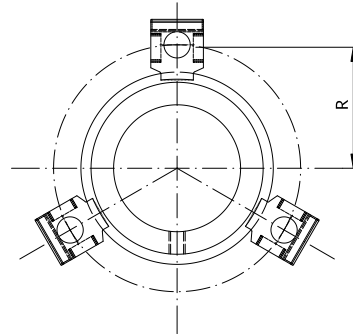
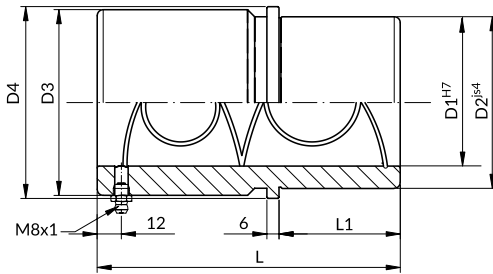
CABRL



Material: C45 plaeado
 en bronce / C45 bronze plated
 Dureza / Hardness: 54-58 HRC

*Buenas propiedades antifricción con un coeficiente de 0,06 se desarrollan a través de la combinación de polímeros fluorados y grafito

Good anti-seized properties and low friction coefficient (0,06) are developed through the combination of fluropolymers and graphite.



i Recomendación de montaje / Assembly recommendation
 D1 < 38 : 3 x BREI 6 + TCI M6x15
 D1 ≥ 38 : 4 x BREI 6 + TCI M6x15

Standard: ISO 9448-6

D1	D2	D3	D4	L1	R	L					
						59	79	93	108	127	150
19	32	39	40	23	26	•	-	-	-	-	-
20	32	39	40	23	26	•	-	-	-	-	-
24	40	46	48	23	30	-	•	-	-	-	-
25	40	46	48	23	30	-	•	-	-	-	-
30	48	53	56	30	33,5	-	-	•	-	-	-
32	48	53	56	30	33,5	-	-	•	-	-	-
38	58	63	66	37	38,5	-	-	-	•	-	-
40	58	63	66	37	38,5	-	-	-	•	-	-
48	70	77	80	47	45,5	-	-	-	-	•	-
50	70	77	80	47	45,5	-	-	-	-	•	-
60	85	92	95	60	53	-	-	-	-	-	•
63	85	92	95	60	53	-	-	-	-	-	•
80*	105	115	118	60	64,5	-	-	-	-	-	•

How to order: CAIL+ D1*L
 CABIL + D1*L
 CABRL + D1*L

* Sólo para CABIL / Only for CABIL

CASQUILLO GUÍA CASC - CABSC

GUIDE BUSH CASC - CABSC

CASC



Material: Acero Cementación*
/ Case Hardened Steel* / Case Hardened Steel*
Dureza / Hardness: 61-63 HRC

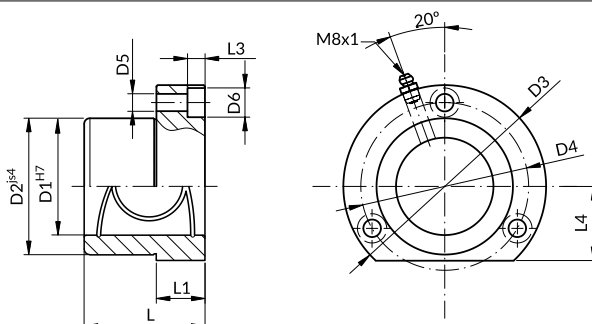
CABSC



Material: Acero Cementación + Bronce
/ Case Hardened Steel + Bronze
Dureza acero / Steel hardness: 52-54 HRC

* Buenas propiedades antifricción con un coeficiente de 0,06 se desarrollan a través de la combinación de polímeros fluorados y grafito

Good anti-seized properties and low friction coefficient (0,06) are developed through the combination of fluoropolymers and graphite



i Recomendación de montaje / Assembly recommendation
D1 ≤ 16 = 3 x DIN 6912
D1 > 16 = 3 x DIN 912

Standard: ISO 9448-4

D1	D2	D3	D4	D5	D6	L1	L3	L4	L				
									29	38	45	55	62
15	28	45	35	4,5	8	6	3,4	15	•	-	-	-	-
16	28	45	35	4,5	8	6	3,4	15	•	-	-	-	-
19	32	50	40	4,5	8	15	4,6	18	-	•	-	-	-
20	32	50	40	4,5	8	15	4,6	18	-	•	-	-	-
24	40	63	50	5,5	10	15	5,7	23	-	•	-	-	-
25	40	63	50	5,5	10	15	5,7	23	-	•	-	-	-
30	48	72	58	5,5	10	15	5,7	28	-	-	•	-	-
32	48	72	58	5,5	10	15	5,7	28	-	-	•	-	-
38	58	85	70	6,6	11	25	6,8	33	-	-	-	•	-
40	58	85	70	6,6	11	25	6,8	33	-	-	-	•	-
48	70	104	86	9	15	25	9	38	-	-	-	-	•
50	70	104	86	9	15	25	9	38	-	-	-	-	•

How to order: CASC + D1*L
CABSC + D1*L

CASQUILLO GUÍA CASV - CABSU

GUIDE BUSH CASV - CABSU

CASV



CABSU



Material: Acero Cementación*
/ Case Hardened Steel *

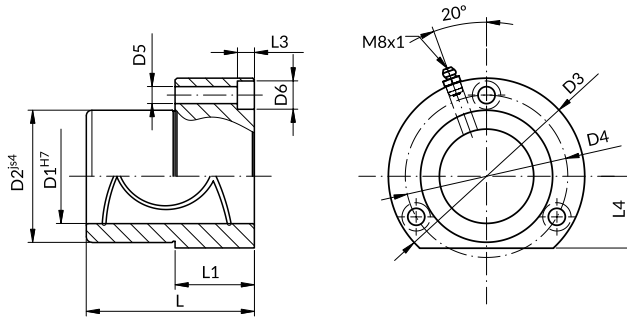
Dureza / Hardness: 61-63 HRC

Material: Acero Cementación + Bronce / Case Hardened
Steel + Bronze

Dureza acero / Steel hardness: 52-54 HRC

* Buenas propiedades antifricción con un coeficiente de 0,06 se desarrollan a través de la combinación de polímeros fluorados y grafito.

Good anti-seized properties and low friction coefficient (0,06) are developed through the combination of fluoropolymers and graphite.



Recomendación de montaje / Assembly recommendation
 D1 ≤ 16 = 3 x DIN 6912
 D1 > 16 = 3 x DIN 912

Standard: ISO 9448-4

D1	D2	D3	D4	D5	D6	L1	L3	L4	L					
									36	45	55	62	67	89
15	28	45	35	4,5	8	6	3,4	15	•	-	-	-	-	-
16	28	45	35	4,5	8	6	3,4	15	•	-	-	-	-	-
19	32	50	40	4,5	8	15	4,6	18	-	•	-	-	-	-
20	32	50	40	4,5	8	15	4,6	18	-	•	-	-	-	-
24	40	63	50	5,5	10	25	5,7	23	-	-	•	-	-	-
25	40	63	50	5,5	10	25	5,7	23	-	-	•	-	-	-
30	48	72	58	5,5	10	25	5,7	28	-	-	-	•	-	-
32	48	72	58	5,5	10	25	5,7	28	-	-	-	•	-	-
38	58	85	70	6,6	11	30	6,8	33	-	-	-	-	•	-
40	58	85	70	6,6	11	30	6,8	33	-	-	-	-	•	-
48	70	104	86	9	15	42	9	38	-	-	-	-	-	•
50	70	104	86	9	15	42	9	38	-	-	-	-	-	•
60	85	120	100	9	15	42	9	46	-	-	-	-	-	•
63	85	120	100	9	15	42	9	46	-	-	-	-	-	•

How to order: CASCV + D1*L
CABSU + D1*L

CASQUILLO GUÍA CASL - CABSL
GUIDE BUSH CASL - CABSL



CASL

Material : Acero Cementación*
/ Case Hardened Steel *
Dureza / Hardness: 61-63 HRC

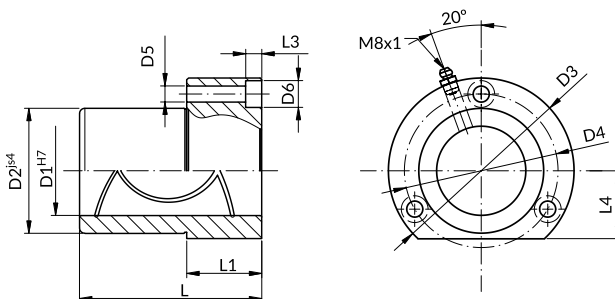


CABSL

Material: Acero Cementación + Bronce
/ Case Hardened Steel + Bronze
Dureza acero / Steel hardness: 52-54 HRC

* Buenas propiedades antifricción con un coeficiente de 0,06 se desarrollan a través de la combinación de polímeros fluorados y grafito.

Good anti-seized properties and low friction coefficient (0,06) are developed through the combination of fluoropolymers and graphite.



i Recomendación de montaje / Assembly recommendation
3 x DIN 912

Standard: ISO 9448-4

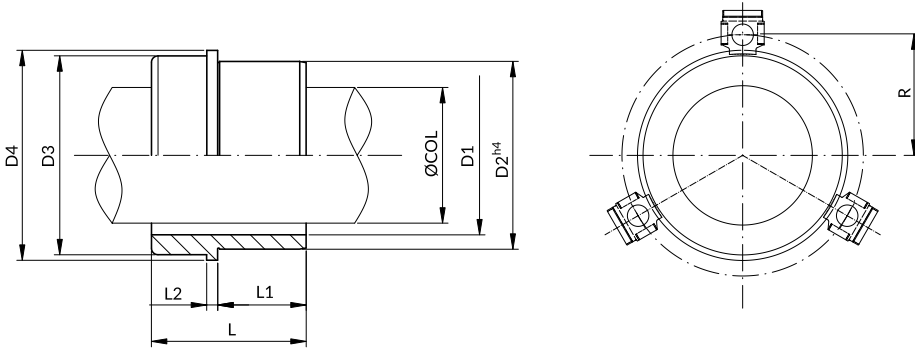
D1	D2	D3	D4	D5	D6	L1	L3	L4	L					
									52	62	72	77	102	125
19	32	50	40	4,5	8	15	4,6	18	•	-	-	-	-	-
20	32	50	40	4,5	8	15	4,6	18	•	-	-	-	-	-
24	40	63	50	5,5	10	25	5,7	23	-	•	-	-	-	-
25	40	63	50	5,5	10	25	5,7	23	-	•	-	-	-	-
30	48	72	58	5,5	10	25	5,7	28	-	-	•	-	-	-
32	48	72	58	5,5	10	25	5,7	28	-	-	•	-	-	-
38	58	85	70	6,6	11	30	6,8	33	-	-	-	•	-	-
40	58	85	70	6,6	11	30	6,8	33	-	-	-	•	-	-
48	70	104	86	9	15	42	9	38	-	-	-	-	•	-
50	70	104	86	9	15	42	9	38	-	-	-	-	•	-
60	85	120	100	9	15	42	9	46	-	-	-	-	•	-
63	85	120	100	9	15	42	9	46	-	-	-	-	•	-
80	105	148	125	11	18	50	11	56	-	-	-	-	-	•

How to order: CASL + D1*L
CABSL + D1*L

CASQUILLO GUÍA PARA JAULA DE BOLAS CJC GUIDE BUSH FOR BALL CAGE CJC

Material: Acero Cementación / Case Hardened Steel
Dureza / Hardness: 61-63 HRC

STOCK



i Recomendación de montaje / Assembly recommendation
 D1 ≤ 25 : 3 x BRE 6 + TCI M6x15
 D1 > 25 : 3 x BRW 20

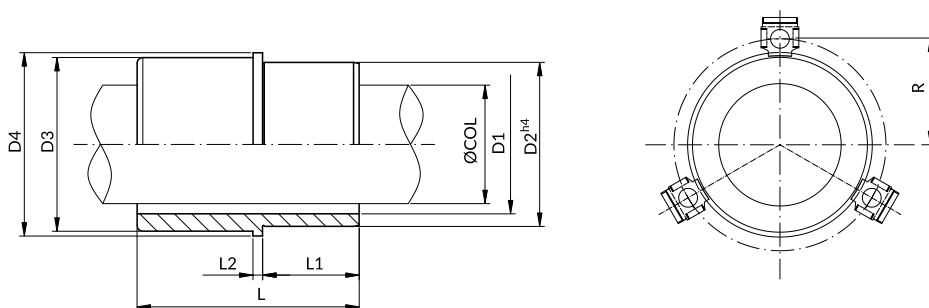
ØCOL	D1	D2	D3	D4	L1	L2	R	L							
								31	33	40	45	48	57	70	100
15	21	28	30	34	15	5	21,5	•	-	-	-	-	-	-	-
16	22	28	30	34	15	5	21,5	•	-	-	-	-	-	-	-
18	24	32	34	38	17	5	23,5	-	•	-	-	-	-	-	-
19	25	32	34	38	17	5	23,5	-	•	-	-	-	-	-	-
24	30	40	43	48	22	5	29	-	-	•	-	-	-	-	-
25	31	40	43	48	22	5	29	-	-	•	-	-	-	-	-
30	38	48	53	58	27	5	34	-	-	-	•	-	-	-	-
32	40	48	53	58	27	5	34	-	-	-	•	-	-	-	-
40	48	58	66	72	30	5	41	-	-	-	-	•	-	-	-
42	50	58	66	72	30	5	41	-	-	-	-	•	-	-	-
50	58	68	77	82	35	5	46	-	-	-	-	-	•	-	-
52	60	68	77	82	35	5	46	-	-	-	-	-	•	-	-
60	72	85	90	95	40	5	52,5	-	-	-	-	-	-	•	-
63	75	85	90	95	40	5	52,5	-	-	-	-	-	-	•	-
80	92	100	112	120	55	6,5	65	-	-	-	-	-	-	-	•

How to order: CJC + D1*L

CASQUILLO GUÍA PARA JAULA DE BOLAS CJV GUIDE BUSH FOR BALL CAGE CJV

Material: Acero Cementación / Case Hardened Steel
Dureza / Hardness: 62-63 HRC

STOCK



i Recomendación de montaje / Assembly recommendation
D1 ≤ 75 : 3 x BRE 6 + TCI M6x15
D1 > 75 : 3 x BRW 20

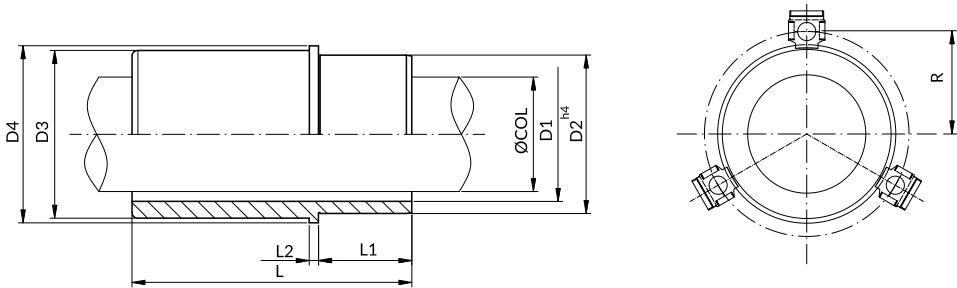
Ø COL	D1	D2	D3	D4	L1	L2	R	L									
								50	60	65	75	80	85	100	115	125	
15	21	28	30	34	20	5	21,5	•	-	-	-	-	-	-	-	-	-
16	22	28	30	34	20	5	21,5	•	-	-	-	-	-	-	-	-	-
18	24	32	34	38	25	5	23,5	-	•	-	-	-	-	-	-	-	-
19	25	32	34	38	25	5	23,5	-	•	-	-	-	-	-	-	-	-
24	30	40	43	48	30	5	29	-	•	-	•	-	-	-	-	-	-
25	31	40	43	48	30	5	29	-	•	-	•	-	-	-	-	-	-
30	38	48	53	58	30	5	34	-	•	-	-	•	-	-	-	-	-
32	40	48	53	58	30	5	34	-	•	-	-	•	-	-	-	-	-
40	48	58	66	72	35	5	41	-	-	•	-	-	•	-	-	-	-
42	50	58	66	72	35	5	41	-	-	•	-	-	•	-	-	-	-
50	58	68	77	82	45	5	46	-	-	-	•	-	-	•	-	-	-
52	60	68	77	82	45	5	46	-	-	-	•	-	-	•	-	-	-
60	72	85	90	95	50	5	52,5	-	-	-	-	-	-	-	-	•	-
63	75	85	90	95	50	5	52,5	-	-	-	-	-	-	-	-	•	-
80	92	100	112	120	55	6,5	65	-	-	-	-	-	-	-	-	-	•

How to order: CJV + D1*L

CASQUILLO GUÍA PARA JAULA DE BOLAS CJL GUIDE BUSH FOR BALL CAGE CJL

Material: Acero Cementación / Case Hardened Steel
Dureza / Hardness: 62-63 HRC

STOCK



i Recomendación de montaje / Assembly recommendation
D1 ≤ 75 : 3 x BRE 6 + TCI M6x15
D1 > 75 : 3 x BRW 20

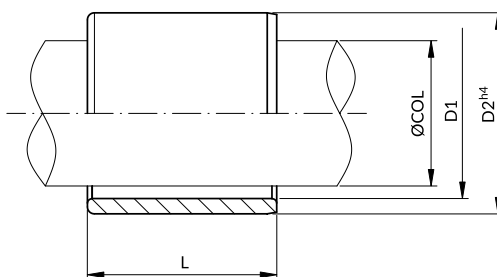
Ø COL	D1	D2	D3	D4	L1	L2	R	L										
								105	110	115	125	130	134	145	150	180		
18	24	32	34	38	25	5	23,5	•	-	-	•	-	-	-	-	-	-	
19	25	32	34	38	25	5	23,5	•	-	-	•	-	-	-	-	-	-	
24	30	40	43	48	30	5	29	-	•	-	-	•	-	-	-	-	-	
25	31	40	43	48	30	5	29	-	•	-	-	•	-	-	-	-	-	
30	38	48	53	58	30	5	34	-	•	-	-	•	-	-	-	-	-	
32	40	48	53	58	30	5	34	-	•	-	-	•	-	-	-	-	-	
40	48	58	66	72	35	5	41	-	-	•	-	-	•	-	-	-	-	
42	50	58	66	72	35	5	41	-	-	•	-	-	•	-	-	-	-	
50	58	68	77	82	45	5	46	-	-	-	•	-	-	•	-	-	-	
52	60	68	77	82	45	5	46	-	-	-	•	-	-	•	-	-	-	
60	72	85	90	95	50	5	52,5	-	-	-	-	•	-	-	-	•	-	
63	75	85	90	95	50	5	52,5	-	-	-	-	-	•	-	-	-	•	
80	92	100	112	120	55	6,5	65	-	-	-	-	-	-	-	-	-	-	•

How to order: CJL + D1*L

CASQUILLO GUÍA PARA JAULA DE BOLAS CJA GUIDE BUSH FOR BALL CAGE CJA

Material: Acero Cementación / Case Hardened Steel
Dureza / Hardness: 62-63 HRC

STOCK

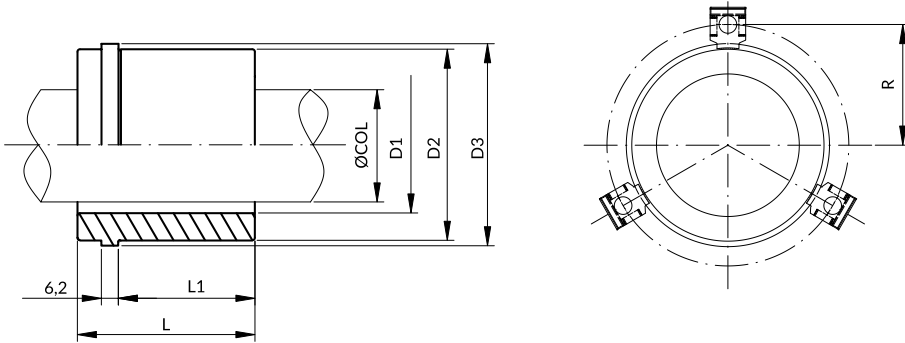


Ø COL	D1	D2	L										
			35	55	60	65	70	75	80	85	95	115	
15	21	28	•	-	•	-	-	-	-	-	-	-	-
16	22	28	•	-	•	-	-	-	-	-	-	-	-
18	24	32	-	•	-	•	-	-	-	-	-	-	-
19	25	32	-	•	-	•	-	-	-	-	-	-	-
24	30	40	-	•	-	-	•	-	-	-	-	-	-
25	31	40	-	•	-	-	•	-	-	-	-	-	-
30	38	48	-	-	•	-	-	•	-	-	-	-	-
32	40	48	-	-	•	-	-	•	-	-	-	-	-
40	48	58	-	-	-	-	•	-	-	•	-	-	-
42	50	58	-	-	-	-	•	-	-	•	-	-	-
50	58	68	-	-	-	-	-	-	•	-	•	-	-
52	60	68	-	-	-	-	-	-	•	-	•	-	-
60	72	85	-	-	-	-	-	-	-	•	-	•	-
63	75	85	-	-	-	-	-	-	-	•	-	•	-
80	92	100	-	-	-	-	-	-	-	-	-	•	•

How to order: CJA + D1*L

CASQUILLO PARA JAULA DE BOLAS CJCJN
GUIDE BUSH FOR BALL CAGE CJCJN

Material: Acero para cojinetes a bolas / Steel for ball bearing cage
 Dureza / Hardness: 62 ± 2 HRC



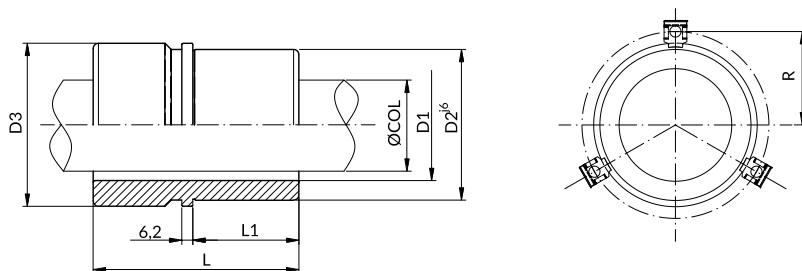
i Recomendación de montaje con brida BREI 6 (x3).
 Assembly recommendation with BREI 6 clamp (x3).

Ø COL	D1	D2	D3	L1	R	L			
						40	45	56	65
24	30	40	44	18	29	•	-	-	-
25	31	40	44	18	29	•	-	-	-
30	38	48	52	23	33	-	•	-	-
32	40	48	52	23	33	-	•	-	-
40	48	58	62	27	38	-	-	•	-
42	50	58	62	27	38	-	-	•	-
50	58	70	74	50	44	-	-	-	•

How to order: CJCJN + D1*L

CASQUILLO PARA JAULA DE BOLAS CJVN GUIDE BUSH FOR BALL BEARING CAGE CJVN

Material: Acero para cojinetes a bolas / Steel for ball bearing cage
Dureza / Hardness: HB \geq 179



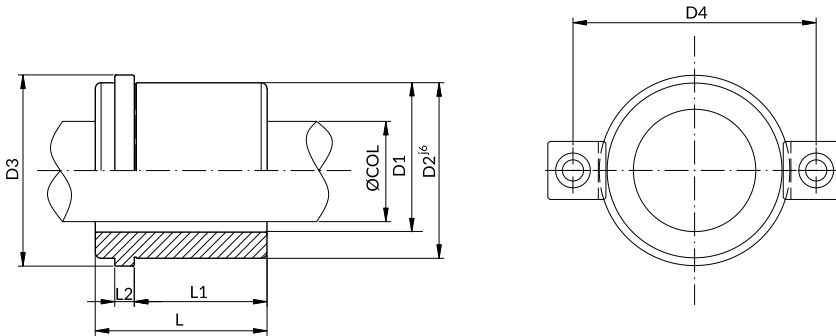
i Recomendación de montaje con brida BREI 6 (x3).
Assembly recommendation with BREI 6 clamp (x3).

Ø COL	D1	D2	D3	R	L1	L					
						64	70	76	85	100	110
24	30	40	44	29	34	•	•	-	-	-	-
25	31	40	44	29	34	•	•	-	-	-	-
30	38	48	52	33	39	•	-	-	•	-	-
32	40	48	52	33	39	•	-	-	•	-	-
40	48	58	62	38	49	-	-	•	-	•	-
42	50	58	62	38	49	-	-	•	-	•	-
50	58	70	74	44	54	-	-	-	-	-	•

How to order: CJVN + D1*L

CASQUILLO PARA JAULA DE BOLAS SUSPENDIDA CJSN
GUIDE BUSH FOR HANGING BALL CJSN

Material: Acero para cojinetes a bolas / Steel for ball bearing cage
 Dureza / Hardness: 62 ± 2 HRC



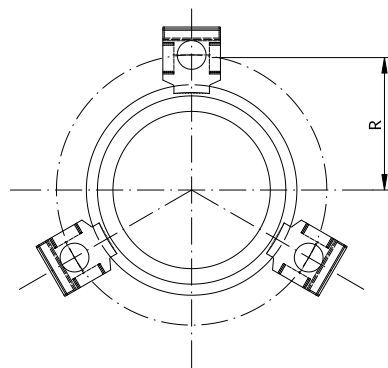
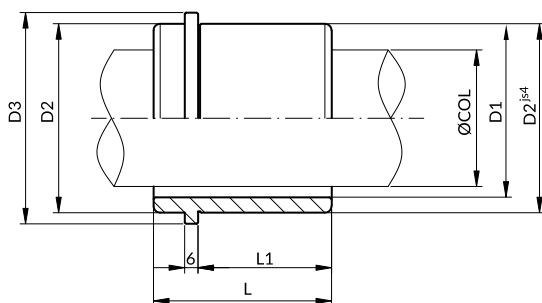
i Recomendación de montaje / Assembly recommendation
 Ø COL = 50: 3x BREI 6 + TCI M6x15
 Ø COL ≥ 63: 3x BRM50 + TCC M8X20

Ø COL	D1	D2	D3	D4	L2	L						
						88	90	96	98	100	116	118
50	58	70	74	88	6,2	-	L1=72	-	-	L1=82	L1=98	-
50	58	80	90	98	6	-	-	L1=78	-	-	-	-
63	75	90	98	125	10	L1=68	-	-	L1=78	-	-	L1=98
80	92	112	120	147	10	L1=68	-	-	L1=78	-	-	L1=98

How to order: CJSN + D1*L

CASQUILLO GUÍA PARA JAULA DE BOLAS CJIC GUIDE BUSH FOR BALL CAGE CJIC

Material: Acero Cementación / Case Hardened Steel
Dureza / Hardness: 62-63 HRC



i Recomendación de montaje / Assembly recommendation
D1 < 38 : 3 x BREI 6 + TCI M6x15
D1 ≥ 38 : 4 x BREI 6 + TCI M6x15

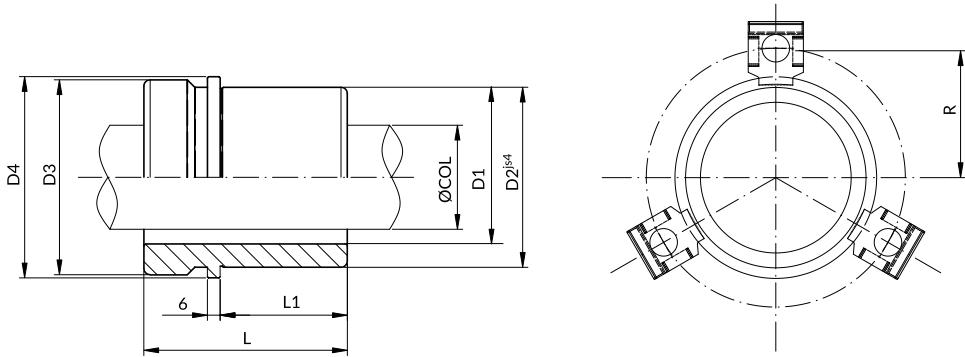
Standard: ISO 9448-7

Ø COL	D1	D2	D3	L1	R	L				
						35	42	52	65	80
19	25	32	40	23	26	•	-	-	-	-
20	26	32	40	23	26	•	-	-	-	-
24	30	40	48	23	30	•	-	-	-	-
25	31	40	48	23	30	•	-	-	-	-
30	38	48	56	30	33,5	-	•	-	-	-
32	40	48	56	30	33,5	-	•	-	-	-
38	46	58	66	37	38,5	-	-	•	-	-
40	48	58	66	37	38,5	-	-	•	-	-
48	56	70	80	47	45,5	-	-	-	•	-
50	58	70	80	47	45,5	-	-	-	•	-
60	68	85	95	60	53	-	-	-	-	•
63	71	85	95	60	53	-	-	-	-	•
80	92	105	118	60	64,5	-	-	-	-	•

How to order: CJIC + D1*L

CASQUILLO GUÍA PARA JAULA DE BOLAS CJIM
GUIDE BUSH FOR BALL CAGE CJIM

Material: Acero Cementación / Case Hardened Steel
 Dureza / Hardness: 62-63 HRC



i Recomendación de montaje / Assembly recommendation
 D1 < 38 : 3 x BREI 6 + TCI M6x15
 D1 ≥ 38 : 4 x BREI 6 + TCI M6x15

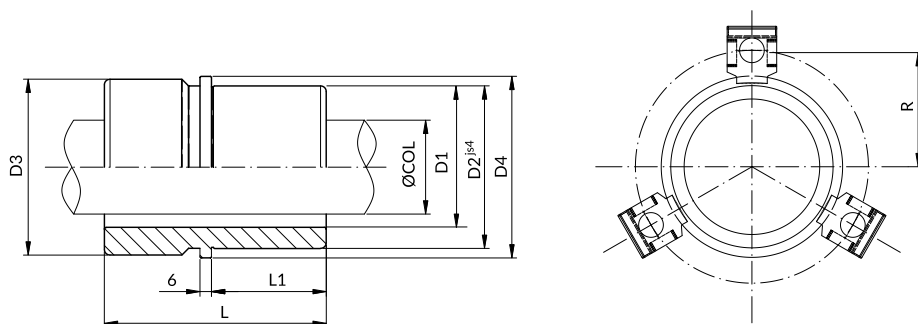
Standard: ISO 9448-7

Ø COL	D1	D2	D3	D4	L1	R	L			
							55	69	79	96
24	30	40	46	48	30	30	•	-	-	-
25	31	40	46	48	30	30	•	-	-	-
30	38	48	53	56	37	33,5	-	•	-	-
32	40	48	53	56	37	33,5	-	•	-	-
38	46	58	63	66	47	38,5	-	-	•	-
40	48	58	63	66	47	38,5	-	-	•	-
48	56	70	77	80	60	45,5	-	-	-	•
50	58	70	77	80	60	45,5	-	-	-	•

How to order: CJIM + D1*L

CASQUILLO GUÍA PARA JAULA DE BOLAS CJIV GUIDE BUSH FOR BALL CAGE CJIV

Material: Acero Cementación / Case Hardened Steel
Dureza / Hardness: 62-63 HRC



i Recomendación de montaje / Assembly recommendation
D1 < 38 : 3 x BREI 6 + TCI M6x15
D1 ≥ 38 : 4 x BREI 6 + TCI M6x15

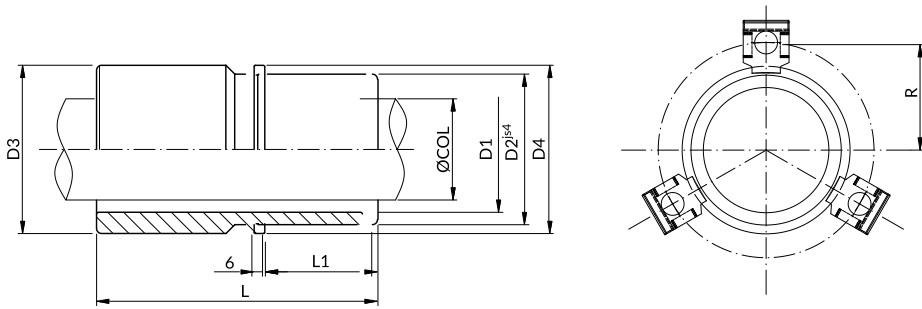
Standard: ISO 9448-7

Ø COL	D1	D2	D3	D4	L1	R	L							
							43	59	75	82	97	116	120	
19	25	32	39	40	23	26	•	-	-	-	-	-	-	
20	26	32	39	40	23	26	•	-	-	-	-	-	-	
24	30	40	46	48	23	30	-	•	-	-	-	-	-	
25	31	40	46	48	23	30	-	•	-	-	-	-	-	
30	38	48	53	56	30	33,5	-	-	•	-	-	-	-	
32	40	48	53	56	30	33,5	-	-	•	-	-	-	-	
38	46	58	63	66	37	38,5	-	-	-	•	-	-	-	
40	48	58	63	66	37	38,5	-	-	-	•	-	-	-	
48	56	70	77	80	47	45,5	-	-	-	-	•	-	-	
50	58	70	77	80	47	45,5	-	-	-	-	-	•	-	
60	68	85	92	95	60	53	-	-	-	-	-	-	•	
63	71	85	92	95	60	53	-	-	-	-	-	-	•	
80	92	105	115	118	60	64,5	-	-	-	-	-	-	•	

How to order: CJIV + D1*L

CASQUILLO GUÍA PARA JAULA DE BOLAS CJIL
GUIDE BUSH FOR BALL CAGE CJIL

Material: Acero Cementación / Case Hardened Steel
 Dureza / Hardness: 62-63 HRC



i Recomendación de montaje / Assembly recommendation
 D1 < 38 : 3 x BREI 6 + TCI M6x15
 D1 ≥ 38 : 4 x BREI 6 + TCI M6x15

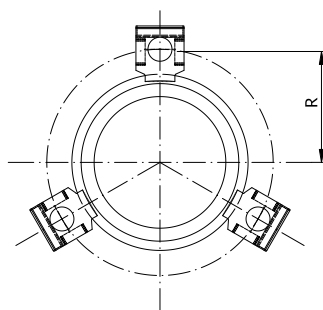
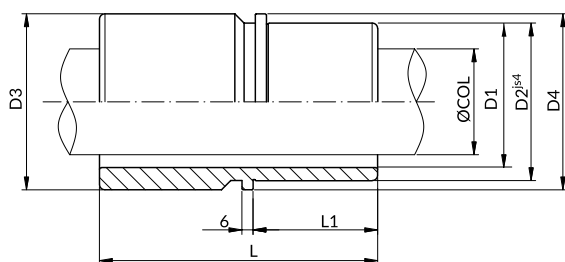
Standard: ISO 9448-7

Ø COL	D1	D2	D3	D4	L1	R	L			
							80	93	110	131
24	30	40	48	46	30	30	•	-	-	-
25	31	40	48	46	30	30	•	-	-	-
30	38	48	56	53	37	33,5	-	•	-	-
32	40	48	56	53	37	33,5	-	•	-	-
38	46	58	66	63	47	38,5	-	-	•	-
40	48	58	66	63	47	38,5	-	-	•	-
48	56	70	80	77	60	45,5	-	-	-	•
50	58	70	80	77	60	45,5	-	-	-	•

How to order: CJIL + D1*L

CASQUILLO GUÍA PARA JAULA DE BOLAS CJIX GUIDE BUSH FOR BALL CAGE CJIX

Material: Acero Cementación / Case Hardened Steel
Dureza / Hardness: 62-63 HRC



i Recomendación de montaje / Assembly recommendation
D1 < 38 : 3 x BREI 6 + TCI M6x15
D1 ≥ 38 : 4 x BREI 6 + TCI M6x15

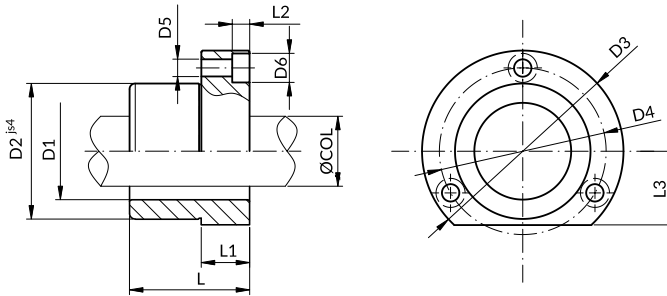
Standard: ISO 9448-7

Ø COL	D1	D2	D3	D4	L1	R	L					
							59	79	93	108	127	150
19	25	32	40	39	23	26	•	-	-	-	-	-
20	26	32	40	39	23	26	•	-	-	-	-	-
24	30	40	48	46	23	30	-	•	-	-	-	-
25	31	40	48	46	23	30	-	•	-	-	-	-
30	38	48	56	53	30	33,5	-	-	•	-	-	-
32	40	48	56	53	30	33,5	-	-	•	-	-	-
38	46	58	66	63	37	38,5	-	-	-	•	-	-
40	48	58	66	63	37	38,5	-	-	-	•	-	-
48	56	70	80	77	47	45,5	-	-	-	-	•	-
50	58	70	80	77	47	45,5	-	-	-	-	•	-
60	68	85	95	92	60	53	-	-	-	-	-	•
63	71	85	95	92	60	53	-	-	-	-	-	•
80	92	105	118	115	60	64,5	-	-	-	-	-	•

How to order: CJIX + D1*L

CASQUILLO GUÍA PARA JAULA DE BOLAS CJSC
GUIDE BUSH FOR BALL CAGE CJSC

Material: Acero Cementación / Case Hardened Steel
 Dureza / Hardness: 62-63 HRC



i Recomendación de montaje / Assembly recommendation
 Ø COL ≤ 16 = 3 x DIN 6912
 Ø COL > 16 = 3 x DIN 912

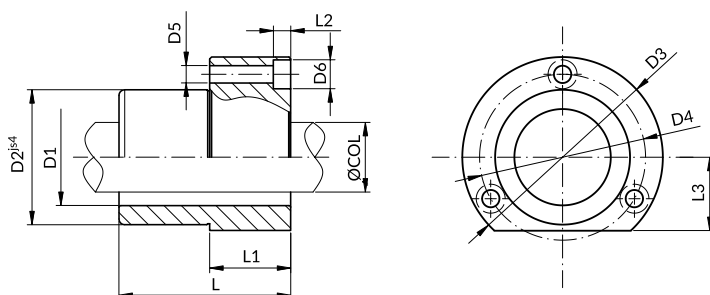
Standard: DIN 9831 / ISO 9448-5

Ø COL	D1	D2	D3	D4	D5	D6	L1	L2	L3	L				
										29	38	45	55	62
15	21	28	45	35	4,5	8	6	3,4	15	•	-	-	-	-
16	22	28	45	35	4,5	8	6	3,4	15	•	-	-	-	-
19	25	32	50	40	4,5	8	15	4,6	18	-	•	-	-	-
20	26	32	50	40	4,5	8	15	4,6	18	-	•	-	-	-
24	30	40	63	50	5,5	10	15	5,7	23	-	•	-	-	-
25	31	40	63	50	5,5	10	15	5,7	23	-	•	-	-	-
30	38	48	72	58	5,5	10	15	5,7	28	-	-	•	-	-
32	40	48	72	58	5,5	10	15	5,7	28	-	-	•	-	-
38	46	58	85	70	6,6	11	25	6,8	33	-	-	-	•	-
40	48	58	85	70	6,6	11	25	6,8	33	-	-	-	•	-
48	56	70	104	86	9	15	25	9	38	-	-	-	-	•
50	58	70	104	86	9	15	25	9	38	-	-	-	-	•

How to order: CJSC + D1*L

CASQUILLO GUÍA PARA JAULA DE BOLAS CJSV GUIDE BUSH FOR BALL CAGE CJSV

Material: Acero Cementación / Case Hardened Steel
Dureza / Hardness: 62-63 HRC



i Recomendación de montaje / Assembly recommendation
 $\text{Ø COL} \leq 16 = 3 \times \text{DIN 6912}$
 $\text{Ø COL} > 16 = 3 \times \text{DIN 912}$

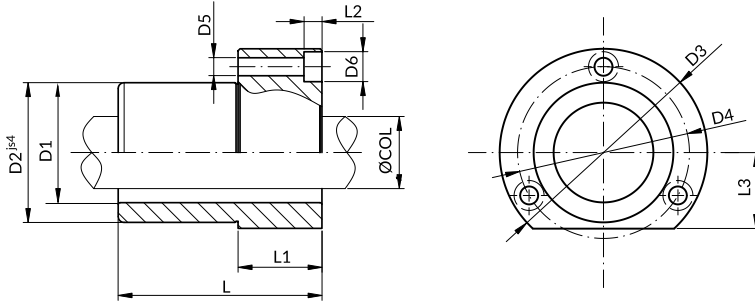
Standard: DIN 9831 / ISO 9448-5

Ø COL	D1	D2	D3	D4	D5	D6	L1	L2	L3	L					
										36	45	55	62	67	89
15	21	28	45	35	4,5	8	6	3,4	15	•	-	-	-	-	-
16	22	28	45	35	4,5	8	6	3,4	15	•	-	-	-	-	-
19	25	32	50	40	4,5	8	15	4,6	18	-	•	-	-	-	-
20	26	32	50	40	4,5	8	15	4,6	18	-	•	-	-	-	-
24	30	40	63	50	5,5	10	25	5,7	23	-	-	•	-	-	-
25	31	40	63	50	5,5	10	25	5,7	23	-	-	•	-	-	-
30	38	48	72	58	5,5	10	25	5,7	28	-	-	-	•	-	-
32	40	48	72	58	5,5	10	25	5,7	28	-	-	-	•	-	-
38	46	58	85	70	6,6	11	30	6,8	33	-	-	-	-	•	-
40	48	58	85	70	6,6	11	30	6,8	33	-	-	-	-	•	-
48	56	70	104	86	9	15	42	9	38	-	-	-	-	-	•
50	58	70	104	86	9	15	42	9	38	-	-	-	-	-	•
60	68	85	120	100	9	15	42	9	46	-	-	-	-	-	•
63	71	85	120	100	9	15	42	9	46	-	-	-	-	-	•

How to order: CJSV + D1*L

CASQUILLO GUÍA PARA JAULA DE BOLAS CJSL GUIDE BUSH FOR BALL CAGE CJSL

Material: Acero Cementación / Case Hardened Steel
Dureza / Hardness: 62-63 HRC



i Recomendación de montaje / Assembly recommendation
3 x DIN 912

Standard: DIN 9831 - ISO 9448-5

Ø COL	D1	D2	D3	D4	D5	D6	L1	L2	L3	L					
										52	62	72	77	102	125
19	25	32	50	40	4,5	8	15	4,6	18	•	-	-	-	-	-
20	26	32	50	40	4,5	8	15	4,6	18	•	-	-	-	-	-
24	30	40	63	50	5,5	10	25	5,7	23	-	•	-	-	-	-
25	31	40	63	50	5,5	10	25	5,7	23	-	•	-	-	-	-
30	38	48	72	58	5,5	10	25	5,7	28	-	-	•	-	-	-
32	40	48	72	58	5,5	10	25	5,7	28	-	-	•	-	-	-
38	46	58	85	70	6,6	11	30	6,8	33	-	-	-	•	-	-
40	48	58	85	70	6,6	11	30	6,8	33	-	-	-	•	-	-
48	56	70	104	86	9	15	42	9	38	-	-	-	-	•	-
50	58	70	104	86	9	15	42	9	38	-	-	-	-	•	-
60	68	85	120	100	9	15	42	9	46	-	-	-	-	•	-
63	71	85	120	100	9	15	42	9	46	-	-	-	-	•	-
80	92	105	148	125	11	18	50	11	56	-	-	-	-	-	•

How to order: CJSL + D1*L

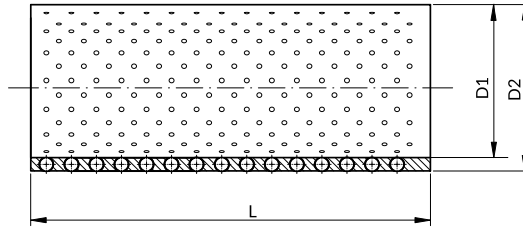
JAULA DE BOLAS JB - JBB
BALL CAGE JB - JBB



Material:
 Jaula / Cage: **Aluminio / Aluminium**
 Bolas / Balls: **DIN 5401**

Material:
 Jaula / Cage: **Bronce / Bronze**
 Bolas / Balls: **DIN 5401**

STOCK



D1	D2	L																											
		30	35	38	40	43	45	50	55	60	63	65	66	70	74	75	78	80	83	85	90	95	100	110	120	140	160	180	200
10	14	-	-	•	-	•	-	-	-	-	-	-	-	-	-	-	-	-	-	-	-	-	-	-	-	-	-	-	-
12	16	•	-	•	-	•	-	•	-	-	-	-	-	-	-	-	-	-	-	-	-	-	-	-	-	-	-	-	-
14	20	•	-	-	-	•	-	•	-	•	-	-	-	-	-	-	-	-	-	-	-	-	-	-	-	-	-	-	-
15	21	•	•	-	-	-	•	-	•	-	-	-	•	-	•	-	-	-	-	-	-	-	-	-	-	-	-	-	-
16	22	•	•	-	-	-	•	-	•	-	-	-	•	-	•	-	-	-	-	-	-	-	-	-	-	-	-	-	-
18	24	-	•	-	-	-	•	•	-	•	-	•	-	-	•	-	-	-	-	-	•	-	-	•	-	-	-	-	-
19	25	-	•	-	-	-	•	•	-	•	-	•	-	-	•	-	-	-	-	-	•	-	-	•	-	-	-	-	-
24	30	-	-	-	•	-	•	•	-	•	-	•	-	-	•	-	-	-	-	-	•	-	-	•	-	-	-	-	-
24	32	-	-	-	•	-	-	-	-	-	-	•	-	-	-	-	-	-	-	-	•	-	-	•	-	-	-	-	-
25	31	-	-	-	•	-	•	•	-	•	-	•	-	-	•	-	-	-	-	-	•	-	-	•	-	-	-	-	-
25	33	-	-	-	•	-	-	-	-	-	-	•	-	•	-	-	-	-	-	-	-	-	-	-	-	-	-	-	-
30	38	-	-	-	-	-	•	•	-	•	-	•	-	-	•	-	-	-	-	-	•	-	-	•	-	-	-	-	-
32	40	-	-	-	-	-	•	•	-	•	-	•	-	-	•	-	-	-	-	-	•	-	-	•	-	-	-	-	-
40	48	-	-	-	-	-	•	•	-	•	-	•	-	-	•	-	-	-	-	-	•	-	-	•	-	-	-	-	-
42	50	-	-	-	-	-	•	•	-	•	-	•	-	-	•	-	-	-	-	-	•	-	-	•	-	-	-	-	-
50	58	-	-	-	-	-	•	•	-	•	-	•	-	-	•	-	-	-	-	-	•	-	-	•	-	-	-	-	-
52	60	-	-	-	-	-	•	•	-	•	-	•	-	-	•	-	-	-	-	-	•	-	-	•	-	-	-	-	-
60	68	-	-	-	-	-	-	-	-	-	-	-	-	-	•	-	-	-	-	-	-	-	-	•	-	-	-	-	-
63	71	-	-	-	-	-	-	-	-	-	-	-	-	-	•	-	-	-	-	-	-	-	-	•	-	-	-	-	-
60	72	-	-	-	-	-	-	-	-	-	-	-	-	-	-	-	-	-	-	-	-	-	-	•	-	-	-	-	-
63	75	-	-	-	-	-	-	-	-	-	-	-	-	-	-	-	-	-	-	-	-	-	-	•	-	-	-	-	-
80	92	-	-	-	-	-	-	-	-	-	-	-	-	-	-	-	-	-	-	-	-	-	-	•	-	-	-	-	-

How to order: JB + D1*D2*L
 JBB + D1*D2*L

JAUJA DE BOLAS JBA - JBBA
BALL CAGE JBA - JBBA

JBA

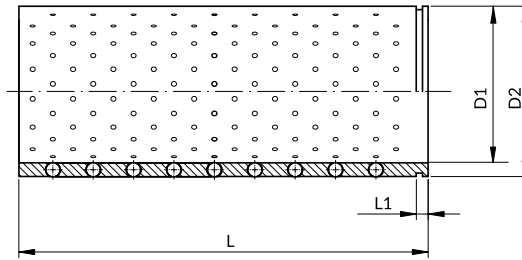


JBBA



Material:
 Jaula / Cage: **Aluminio / Aluminium**
 Bolas / Balls: **DIN 5401**

Material:
 Jaula / Cage: **Bronce / Bronze**
 Bolas / Balls: **DIN 5401**



D1	D2	L1	L																											
			30	35	38	40	43	45	50	55	60	63	65	66	70	74	75	78	80	83	85	90	95	100	110	120	140	160	180	200
10	14	2,6	-	-	•	-	•	-	-	-	-	-	-	-	-	-	-	-	-	-	-	-	-	-	-	-	-	-	-	-
12	16	2,6	-	-	•	-	•	-	-	-	-	-	-	-	-	-	-	-	-	-	-	-	-	-	-	-	-	-	-	-
14	20	3	•	-	-	-	•	-	•	-	-	-	-	-	-	-	-	-	-	-	-	-	-	-	-	-	-	-	-	-
15	21	3	•	•	-	-	-	•	-	•	-	-	-	-	•	-	•	-	-	-	-	-	-	-	-	-	-	-	-	-
16	22	3	•	•	•	-	-	•	-	•	-	-	-	•	-	•	-	-	-	-	-	-	-	-	-	-	-	-	-	-
18	24	3	-	•	-	-	-	•	-	•	-	-	-	•	-	•	-	-	-	-	-	-	-	-	-	-	-	-	-	-
19	25	3	-	•	-	-	-	•	-	•	-	-	-	•	-	•	-	-	-	-	-	-	-	-	-	-	-	-	-	-
24	30	3,5	-	-	-	•	-	•	•	-	-	•	-	•	-	•	-	-	-	-	•	-	•	-	•	-	•	-	•	-
25	31	3,5	-	-	-	•	-	•	•	-	-	•	-	•	-	•	-	-	-	-	•	-	•	-	•	-	•	-	•	-
30	38	4,2	-	-	-	-	-	•	•	•	-	•	-	•	-	•	-	-	-	-	•	-	•	-	•	-	•	-	•	-
32	40	4,2	-	-	-	-	-	•	•	•	-	•	-	•	-	•	-	-	-	-	•	-	•	-	•	-	•	-	•	-
40	48	4,2	-	-	-	-	-	•	•	•	-	•	-	•	-	•	-	-	-	-	•	-	•	-	•	-	•	-	•	-
42	50	4,2	-	-	-	-	-	•	•	•	-	•	-	•	-	•	-	-	-	-	•	-	•	-	•	-	•	-	•	-
50	58	4,2	-	-	-	-	-	•	•	•	-	•	-	•	-	•	-	-	-	-	•	-	•	-	•	-	•	-	•	-
52	60	4,2	-	-	-	-	-	•	•	•	-	•	-	•	-	•	-	-	-	-	•	-	•	-	•	-	•	-	•	-
60	68	5,2	-	-	-	-	-	-	-	-	-	-	-	-	-	-	-	-	-	-	•	-	•	-	•	-	•	-	•	-
63	71	5,2	-	-	-	-	-	-	-	-	-	-	-	-	-	-	-	-	-	-	•	-	•	-	•	-	•	-	•	-
60	72	5,2	-	-	-	-	-	-	-	-	-	-	-	-	-	-	-	-	-	-	-	-	-	-	-	-	-	-	-	-
63	75	5,2	-	-	-	-	-	-	-	-	-	-	-	-	-	-	-	-	-	-	-	-	-	-	-	-	-	-	-	-
80	92	6,2	-	-	-	-	-	-	-	-	-	-	-	-	-	-	-	-	-	-	-	-	-	-	-	-	-	-	-	-

How to order: JBA + D1*D2*L
 JBBA + D1*D2*L

JAULA DE BOLAS JBL - JBBL
BALL CAGE JBL - JBBL

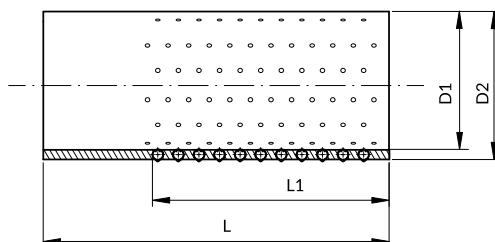


Material:

Jaula / Cage: **Aluminio / Aluminium**
 Bolas / Balls: **DIN 5401**

Material:

Jaula / Cage: **Bronce / Bronze**
 Bolas / Balls: **DIN 5401**



D1	D2	L1	L				
			78	94	103	122	140
15	21	60	•	-	-	-	-
16	22	60	•	-	-	-	-
18	24	72	-	•	-	-	-
19	25	72	-	•	-	-	-
24	30	78	-	-	•	-	-
25	31	78	-	-	•	-	-
30	38	90	-	-	-	•	-
32	40	90	-	-	-	•	-
40	48	100	-	-	-	-	•
42	50	100	-	-	-	-	•
50	58	100	-	-	-	-	•
52	60	100	-	-	-	-	•

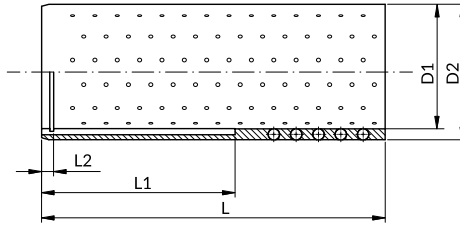
How to order: JBL + D1*L
 JBBL + D1*L

JAULA DE BOLAS JBS BALL CAGE JBS

Material:

Jaula / Cage: Aluminio / Aluminium

Bolas / Balls: DIN 5401



i Se suministra con sus accesorios de montaje.
All accessories included.

D1	D2	L	L1	L2
25	33	55	31	3,1
25	33	70	40	3,1
25	33	85	48	3,1
25	33	90	48	3,1
25	33	100	55	3,1
32	40	70	40	3,85
32	40	58	48	3,85
32	40	90	48	3,85
32	40	105	55	3,85
32	40	115	65	3,85
32	40	125	75	3,85
40	48	70	40	5,6
40	48	58	48	5,6
40	48	90	48	5,6
40	48	105	56	5,6
40	48	115	66	5,6
40	48	125	76	5,6
40	48	135	86	5,6
40	48	145	96	5,6
50	62	105	56	6,65

D1	D2	L	L1	L2
50	62	120	65	6,65
50	62	140	76	6,65
50	62	150	86	6,65
50	62	160	96	6,65
50	62	170	108	6,65
50	62	185	121	6,65
50	62	195	133	6,65
63	75	145	76	6,65
63	75	165	86	6,65
63	75	180	96	6,65
63	75	190	107	6,65
63	75	205	121	6,65
63	75	215	132	6,65
80	92	145	76	7,9
80	92	165	86	7,9
80	92	180	96	7,9
80	92	190	107	7,9
80	92	205	121	7,9
80	92	215	132	7,9

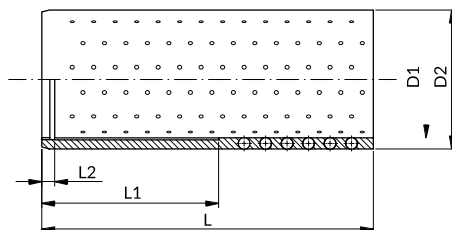
How to order: JBS + D1*L

JAULA DE BOLAS JBD BALL CAGE JBD

Material:

Jaula / Cage: Aluminio / Aluminium

Bolas / Balls: DIN 5401



i Se suministra con sus accesorios de montaje.
All accessories included.

D1	D2	L	L1	L2
25	33	36	11,5	4,2
25	33	48	17,5	4,2
25	33	55	31	4,2
25	33	70	40	4,2
25	33	90	47	4,2
25	33	100	55	4,2
25	33	110	65	4,2
32	40	36	11,5	4,2
32	40	48	17,5	4,2
32	40	70	31	4,2
32	40	90	40	4,2
32	40	105	47	4,2
32	40	115	55	4,2
32	40	125	65	4,2
32	40	135	85	4,2
40	48	48	17,5	5,8
40	48	60	23,5	5,8
40	48	70	40	5,8
40	48	85	48	5,8
40	48	105	56	5,8
40	48	125	66	5,8
40	48	125	76	5,8
40	48	135	86	5,8
40	48	145	96	5,8
40	48	155	107	5,8

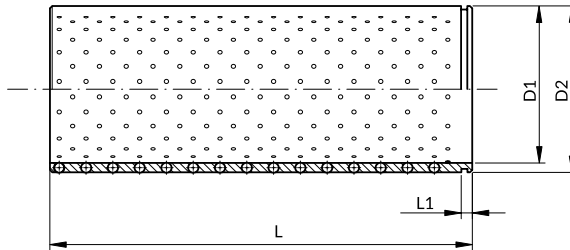
D1	D2	L	L1	L2
50	62	70	28,5	7
50	62	84	35,5	7
50	62	105	56	7
50	62	120	65	7
50	62	140	76	7
50	62	150	86	7
50	62	160	96	7
50	62	170	108	7
50	62	185	121	7
50	62	195	133	7
63	75	98	42,5	7
63	75	145	76	7
63	75	165	86	7
63	75	180	96	7
63	75	190	107	7
63	75	205	121	7
63	75	215	132	7
80	92	98	42,5	8,5
80	92	145	76	8,5
80	92	165	86	8,5
80	92	180	96	8,5
80	92	190	107	8,5
80	92	205	121	8,5
80	92	215	132	8,5

How to order: JBD + D1*L

JAUJA DE BOLAS JBI
BALL CAGE JBI

Material:

Jaula / Cage: Latón / Brass
 Bolas / Balls: DIN 5401



D1	D2	L1	L															
			40	45	50	56	63	71	75	80	95	105	120	140	160	180	200	240
12	16	2,2	•	-	-	•	-	-	-	-	-	-	-	-	-	-	-	-
18	24	2,9	-	•	-	•	-	•	-	-	-	-	-	-	-	-	-	-
19	25	2,9	-	•	-	•	-	•	-	•	•	-	-	-	-	-	-	-
20	26	2,9	-	•	-	•	-	•	-	•	•	-	-	-	-	-	-	-
24	30	3,2	•	•	-	•	-	•	-	•	•	-	•	-	-	-	-	-
25	31	3,2	•	•	-	•	-	•	-	•	•	-	•	-	-	-	-	-
30	38	3,95	•	•	•	•	-	•	•	•	•	-	•	•	•	-	-	-
32	40	3,95	•	•	•	•	-	•	•	•	•	-	•	•	•	-	-	-
38	46	3,95	-	•	•	•	•	-	-	•	•	-	•	•	•	•	•	•
40	48	3,95	-	•	•	•	•	-	-	•	•	-	•	•	•	•	•	•
48	56	4,25	-	-	•	-	•	-	-	•	•	-	•	•	•	•	•	•
50	58	4,25	-	-	•	-	•	-	-	•	•	-	•	•	•	•	•	•
60	68	4,75	-	-	-	-	-	-	-	•	•	-	•	•	•	•	•	•
63	71	4,75	-	-	-	-	-	-	-	•	•	-	•	•	•	•	•	•
80	92	6,15	-	-	-	-	-	-	-	-	-	-	•	•	•	•	•	•

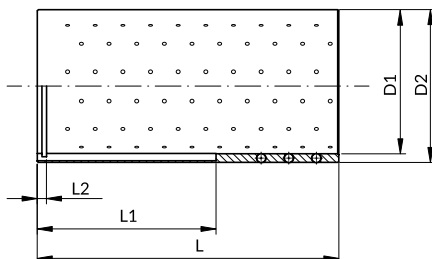
How to order: JBI + D1*L

JAULA DE BOLAS SUSPENDIDA JBIS HANGING BALL CAGE JBIS

Material:

Jaula / Cage: Latón / Brass

Bolas / Balls: DIN 5401



i Se suministra con sus accesorios de montaje.
All accessories included.

D1	D2	L	L1	L2
19	25	56	31	2,6
19	25	72	41	2,6
19	25	80	51	2,6
20	26	56	31	2,6
20	26	72	41	2,6
20	26	80	51	2,6
24	30	56	31	2,6
24	30	72	41	2,6
24	30	80	51	2,6
25	31	56	31	2,6
25	31	72	41	2,6
25	31	80	51	2,6
30	38	70	41	2,6
30	38	80	51	2,6
30	38	95	61	2,6
30	38	105	61	2,6
32	40	70	41	2,6
32	40	80	51	2,6
32	40	95	61	2,6
32	40	105	61	2,6
38	46	80	51	3,5
38	46	95	61	3,5
38	46	105	61	3,5

D1	D2	L	L1	L2
38	46	120	73	3,5
40	48	80	51	3,5
40	48	95	61	3,5
40	48	105	61	3,5
40	48	120	73	3,5
48	56	80	51	4,3
48	56	95	61	4,3
48	56	105	61	4,3
48	56	120	73	4,3
50	58	80	51	4,3
50	58	95	61	4,3
50	58	105	61	4,3
50	58	120	73	4,3
60	68	95	61	4,3
60	68	120	73	4,3
60	68	140	83	4,3
63	71	95	61	4,3
63	71	120	73	4,3
63	71	140	83	4,3
80	92	95	61	5
80	92	120	73	5
80	92	140	83	5

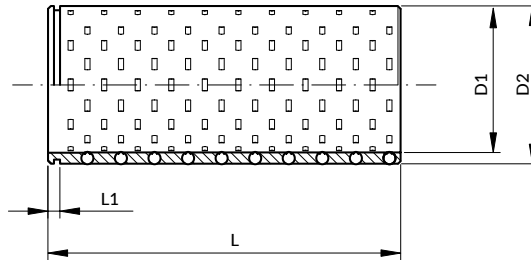
How to order: JBIS + D1*L

JAUJA DE RODILLOS JBR
ROLLER CAGE JBR

Material:

Jaula / Cage: Aluminio / Aluminium

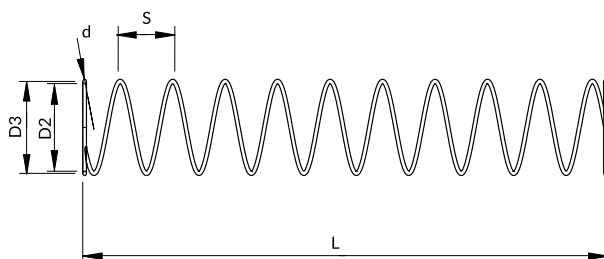
Rodillos / Rollers: DIN 5402



D1	D2	L1	L								
			45	55	65	75	85	95	105	115	125
19	25	1,6	•	•	•	•	-	-	-	-	-
20	26	1,6	•	•	•	•	-	-	-	-	-
24	30	1,6	•	•	•	•	•	-	-	-	-
25	31	1,6	•	•	•	•	•	-	-	-	-
30	38	2,1	•	•	•	•	•	•	•	-	-
32	40	2,1	•	•	•	•	•	•	•	-	-
38	46	2,1	-	•	•	•	•	•	•	•	•
40	48	2,1	-	•	•	•	•	•	•	•	•
48	56	2,1	-	-	•	•	•	•	•	•	•
50	58	2,1	-	-	•	•	•	•	•	•	•

How to order: JBR + D1*L

MUELLE PARA JAULA DE BOLAS MJB SPRING FOR BALL CAGE MJB



\varnothing COL / PILL \varnothing	D2	D3	S	d	L	Longitud progresiva / Progressive length
19/20	20,5	22,5	14	1	40-140	10
24/25	25,5	27,9	14	1,2	40-160	10
30/32	32,5	35,7	16	1,6	50-230	10
38	38,5	42,5	18	2	60-230	10
40	40,5	45,1	20	2,3	60-230	10
42	42,5	47,1	20	2,4	60-230	10
48/50	50,5	55,7	20	2,6	70-230	10
52	52,5	57,7	20	2,6	70-230	10
60	60,5	66,9	20	3,2	80-250	10
63	63,5	69,9	20	3,2	80-250	10

How to order: MJB + D2*L

CASQUILLO DE BOLAS CON VALONA CBOV
BALL GUIDE BUSH WITH COLLAR CBOV

Material:

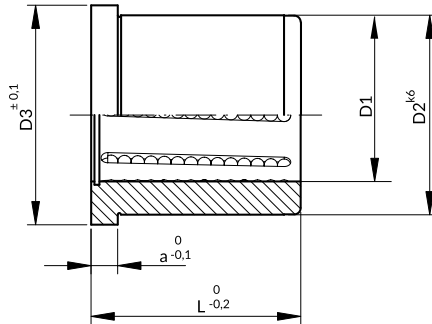
Casquillo / Bush: Acero / Steel

Jaula / Cage: Bronce / Bronze

Bolas / Balls: DIN 5401

Dureza casquillo / Bush hardness: 60 - 62 HRC

STOCK



D1	L	D2	D3	a	Ø ball	lines
20	35	32	36	6	3	6
25	35	40	45	6	3	8
25	45	40	45	6	3	8
25	55	40	45	6	3	8
32	45	50	56	8	4	8
32	63	50	56	8	4	8
40	45	60	66	8	4	8
40	63	60	66	8	4	8

How to order: CBOV + D1*L

CASQUILLO DE BOLAS CON VALONA CBOM BALL GUIDE BUSH WITH COLLAR CBOM

Material:

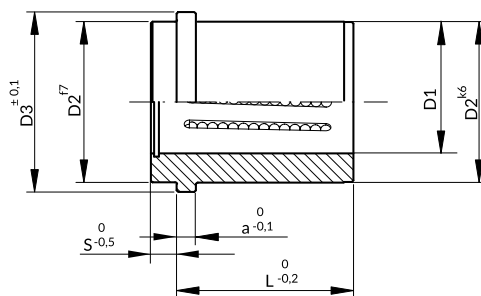
Casquillo / Bush: Acero / Steel

Jaula / Cage: Bronce / Bronze

Bolas / Balls: DIN 5401

Dureza casquillo / Bush hardness: 60 - 62 HRC

STOCK



D1	L	D2	D3	a	s	Ø ball	lines
12	22	24	28	6	8	3	5
16	22	28	32	6	8	3	6
16	26	28	32	6	9	3	6
20	26	32	36	6	9	3	6
20	35	32	36	6	9	3	6
25	26	40	45	6	9	3	8
25	35	40	45	6	10	3	8
25	45	40	45	6	10	3	8
25	55	40	45	6	10	3	8
32	45	50	56	8	12	4	8
32	63	50	56	8	12	4	8
40	45	60	66	8	12	4	8
40	63	60	66	8	12	4	8
50	55	70	76	10	25	4	8
60	55	85	91	10	25	4	8

How to order: CBOM + D1*L

CASQUILLO DE BOLAS LISO CBOL
BALL GUIDE BUSH CBOL

Material:

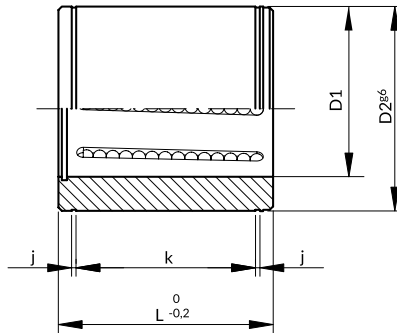
Casquillo / Bush: Acero / Steel

Jaula / Cage: Bronce / Bronze

Bolas / Balls: DIN 5401

Dureza casquillo / Bush hardness: 60 - 62 HRC

STOCK



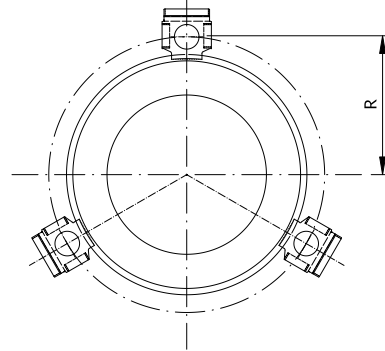
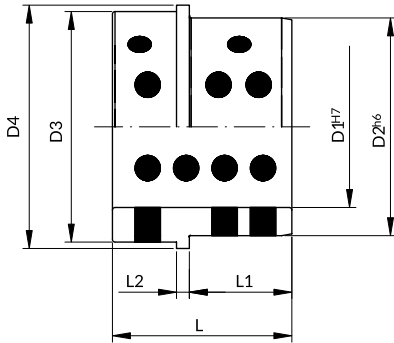
D1	L	D2	k	j	Ø ball	lines
12	30	24	20	1,3	3	5
16	30	28	19	1,6	3	6
16	35	28	24	1,6	3	6
20	35	32	24	1,6	3	6
20	45	32	34	1,6	3	6
25	35	40	23	1,8	3	8
25	45	40	33	1,8	3	8
25	55	40	43	1,8	3	8
32	45	50	33	2,1	4	8
32	63	50	51	2,1	4	8
40	45	60	33	2,1	4	8
40	63	60	51	2,1	4	8

How to order: CBOL + D1*L

CASQUILLO GUÍA CBGC GUIDE BUSH CBGC

Material: Bronce + grafito / Bronze + graphite
Dureza / Hardness: HB > 190

STOCK



i Recomendación de montaje / Assembly recommendation
 D1 ≤ 63 = 3 x BRE 6 + TCI M6x15
 D1 = 80 = 3 x BRW 20

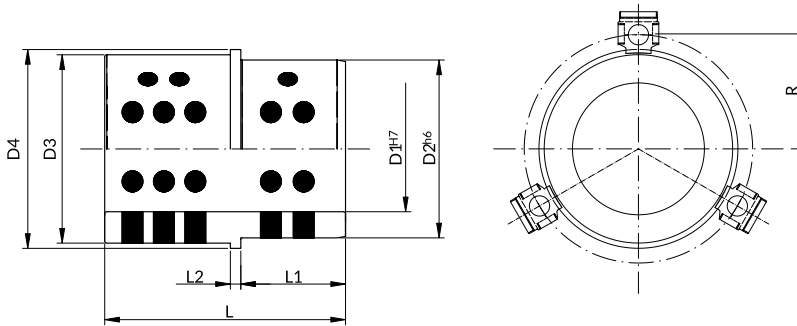
D1	D2	D3	D4	L1	L2	R	L							
							31	33	40	45	48	57	70	100
15	28	30	34	15	5	21,5	•	-	-	-	-	-	-	-
16	28	30	34	15	5	21,5	•	-	-	-	-	-	-	-
18	32	34	38	17	5	23,5	-	•	-	-	-	-	-	-
19	32	34	38	17	5	23,5	-	•	-	-	-	-	-	-
24	40	43	48	22	5	29	-	-	•	-	-	-	-	-
25	40	43	48	22	5	29	-	-	•	-	-	-	-	-
30	48	53	58	27	5	34	-	-	-	•	-	-	-	-
32	48	53	58	27	5	34	-	-	-	•	-	-	-	-
40	58	66	72	30	5	41	-	-	-	-	•	-	-	-
42	58	66	72	30	5	41	-	-	-	-	•	-	-	-
50	68	77	82	35	5	46	-	-	-	-	-	•	-	-
52	68	77	82	35	5	46	-	-	-	-	-	•	-	-
60	85	90	95	40	5	52,5	-	-	-	-	-	-	•	-
63	85	90	95	40	5	52,5	-	-	-	-	-	-	-	•
80	100	112	120	55	6,5	65	-	-	-	-	-	-	-	•

How to order: CBGC + D1*L

CASQUILLO GUÍA CBGV GUIDE BUSH CBGV

Material: Bronce + grafito / Bronze + graphite
Dureza / Hardness: HB > 190

STOCK



i Recomendación de montaje / Assembly recommendation
D1≤63 = 3 x BRE 6 + TCI M6x15
D1=80 = 3 x BRW 20

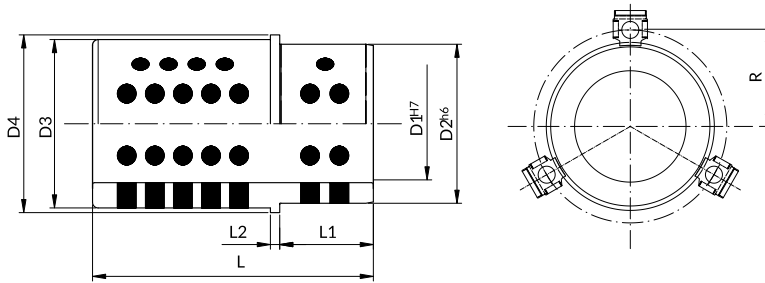
D1	D2	D3	D4	L1	L2	R	L								
							50	60	65	75	80	85	100	115	125
15	28	30	34	20	5	21,5	•	-	-	-	-	-	-	-	-
16	28	30	34	20	5	21,5	•	-	-	-	-	-	-	-	-
18	32	34	38	25	5	23,5	-	•	-	-	-	-	-	-	-
19	32	34	38	25	5	23,5	-	•	-	-	-	-	-	-	-
24	40	43	48	30	5	29	-	•	-	•	-	-	-	-	-
25	40	43	48	30	5	29	-	•	-	•	-	-	-	-	-
30	48	53	58	30	5	34	-	•	-	-	•	-	-	-	-
32	48	53	58	30	5	34	-	•	-	-	•	-	-	-	-
40	58	66	72	35	5	41	-	-	•	-	-	•	-	-	-
42	58	66	72	35	5	41	-	-	•	-	-	•	-	-	-
50	68	77	82	45	5	46	-	-	-	•	-	-	•	-	-
52	68	77	82	45	5	46	-	-	-	•	-	-	•	-	-
60	85	90	95	50	5	52,5	-	-	-	-	-	-	-	•	-
63	85	90	95	50	5	52,5	-	-	-	-	-	-	-	•	-
80	100	112	120	55	6,5	65	-	-	-	-	-	-	-	-	•

How to order: CBGV + D1*L

CASQUILLO GUÍA CBGL
GUIDE BUSH CBGL

Material: Bronce + grafito / Bronze + graphite
 Dureza / Hardness: HB > 190

STOCK



i Recomendación de montaje / Assembly recommendation
 D1≤63 = 3 x BRE 6 + TCI M6x15
 D1=80 = 3 x BRW 20

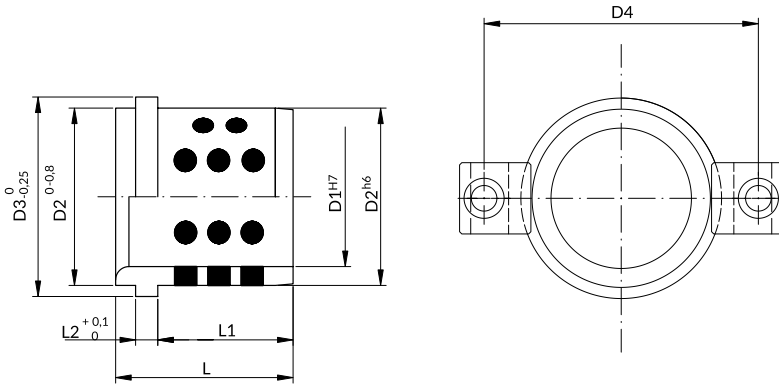
D1	D2	D3	D4	L1	L2	R	L									
							105	110	115	125	130	135	145	150	180	
18	32	34	38	25	5	23,5	•	-	-	•	-	-	-	-	-	
19	32	34	38	25	5	23,5	•	-	-	•	-	-	-	-	-	
24	40	43	48	30	5	29	-	•	-	-	•	-	-	-	-	
25	40	43	48	30	5	29	-	•	-	-	•	-	-	-	-	
30	48	53	58	30	5	34	-	•	-	-	•	-	-	-	-	
32	48	53	58	30	5	34	-	•	-	-	•	-	-	-	-	
40	58	66	72	35	5	41	-	-	•	-	-	•	-	-	-	
42	58	66	72	35	5	41	-	-	•	-	-	•	-	-	-	
50	68	77	82	45	5	46	-	-	-	•	-	-	•	-	-	
52	68	77	82	45	5	46	-	-	-	•	-	-	•	-	-	
60	85	90	95	50	5	52,5	-	-	-	-	•	-	-	•	-	
63	85	90	95	50	5	52,5	-	-	-	-	•	-	-	•	-	
80	100	112	120	55	6,5	65	-	-	-	-	-	-	-	-	•	

How to order: CBGL + D1*L

CASQUILLO GUÍA BGW
GUIDE BUSH BGW

Material: Bronce + grafito / Bronze + graphite
 Dureza / Hardness: HB > 190

STOCK



i Recomendación de montaje / Assembly recommendation
 D1 ≤ 50 : 2 x BRW20 + TCC M6X16
 D1 > 50 : 2 x BRW32 + TCC M10X20

Standard: DIN 9834

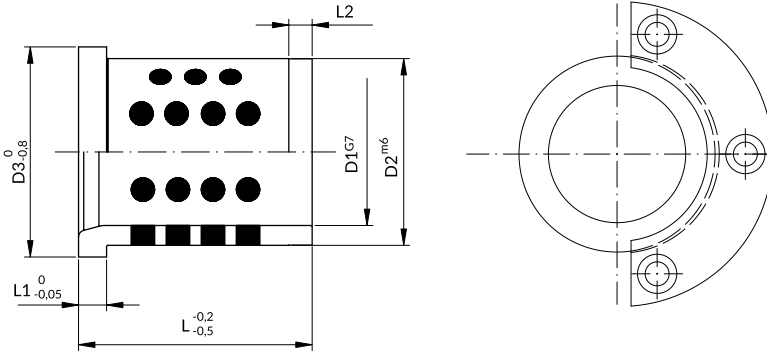
D1	D2	D3	D4	L1	L2	L								
						40	50	63	71	80	100	125	160	200
25	32	40	58	30	6,3	•	-	-	-	-	-	-	-	-
32	40	50	66	38	6,3	-	•	-	-	-	-	-	-	-
40	50	63	79	48	6,3	-	-	•	-	-	-	-	-	-
50	63	71	89	54	6,3	-	-	-	•	-	-	-	-	-
63	80	90	123	61	10	-	-	-	-	•	-	-	-	-
80	100	112	143	78	10	-	-	-	-	-	•	-	-	-
100	125	140	168	104	10	-	-	-	-	-	-	•	-	-
125	160	180	203	130	10	-	-	-	-	-	-	-	•	-
160	200	220	243	168	10	-	-	-	-	-	-	-	-	•

How to order: BGW + D1*L

CASQUILLO GUÍA BGP
GUIDE BUSH BGP

Material: Bronce + grafito / Bronze + graphite
 Dureza / Hardness: HB > 190

STOCK



Recomendación de montaje con brida BRCA, BRCC o BRM.
 Assembly recommendation with BRCA, BRCC or BRM clamp.

Standard: AFNOR

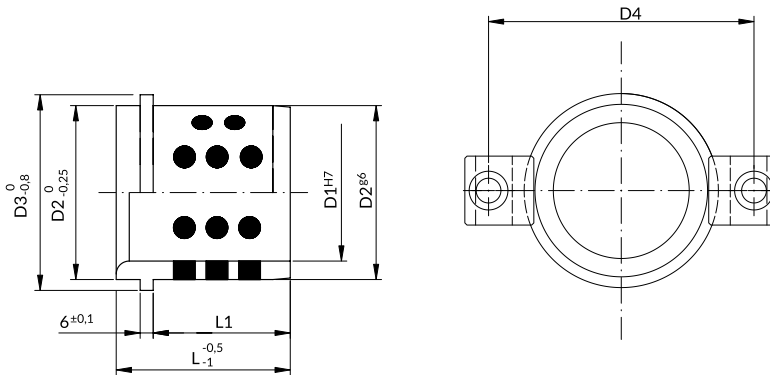
D1	D2	D3	L1	L2	L							
					32	40	50	63	80	100	125	160
20	28	32	4	4	•	-	-	-	-	-	-	-
25	35	40	5	5	-	•	-	-	-	-	-	-
32	44	50	6	8	-	-	•	-	-	-	-	-
40	52	60	8	8	-	-	-	•	-	-	-	-
50	63	71	10	8	-	-	-	-	•	-	-	-
63	80	90	12	10	-	-	-	-	-	•	-	-
80	100	112	16	10	-	-	-	-	-	-	•	-
100	125	140	20	10	-	-	-	-	-	-	-	•

How to order: BGP + D1*L

CASQUILLO GUÍA BGN
GUIDE BUSH BGN

Material: Bronce + grafito / Bronze + graphite
 Dureza / Hardness: HB > 190

STOCK



Recomendación de montaje / Assembly recommendation
 2x BRN32 + TCC M10X20

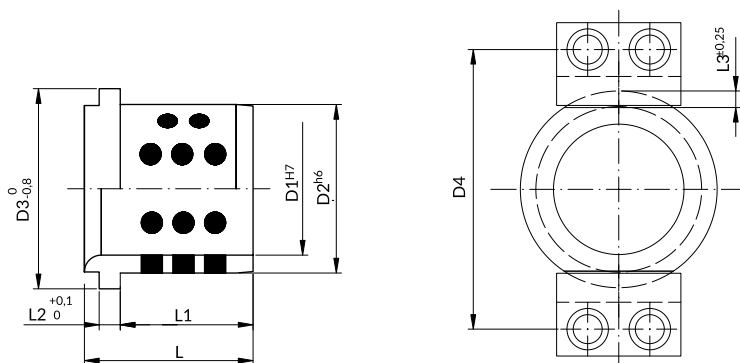
D1	D2	D3	D4	L1	L								
					40	50	63	71	80	100	125	160	
25	32	40	75	30	•	-	-	-	-	-	-	-	-
32	40	50	83	40	-	•	-	-	-	-	-	-	-
40	50	63	93	50	-	-	•	-	-	-	-	-	-
50	63	71	106	56	-	-	-	•	-	-	-	-	-
63	80	90	123	63	-	-	-	-	•	-	-	-	-
80	100	112	143	80	-	-	-	-	-	•	-	-	-
100	125	140	168	106	-	-	-	-	-	-	•	-	-
125	160	180	203	132	-	-	-	-	-	-	-	•	-

How to order: BGN + D1*L

CASQUILLO GUÍA BGO GUIDE BUSH BGO

Material: Bronce + grafito / Bronze + graphite
Dureza / Hardness: HB > 190

STOCK



i Recomendación de montaje con brida BRO.
Assembly recommendation with BRO clamp.

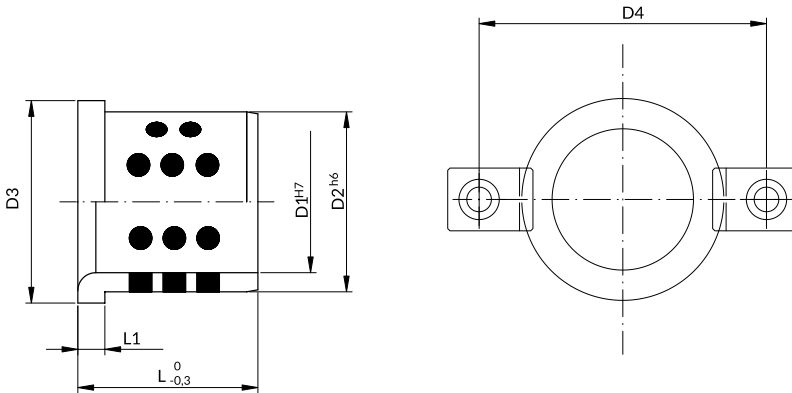
D1	D2	D3	D4	L1	L2	L3	L						
							32	50	63	72	80	100	125
25	32	40	60	22	5	3,5	•	-	-	-	-	-	-
32	40	50	69	40	5	4	-	•	-	-	-	-	-
40	50	63	80	50	8	5	-	-	•	-	-	-	-
50	63	75	96	58	8	6	-	-	-	•	-	-	-
63	80	95	117	63	10	8	-	-	-	-	•	-	-
80	100	120	138	80	10	10	-	-	-	-	-	•	-
100	125	150	180	100	16	13	-	-	-	-	-	-	•

How to order: BGO + D1*L

CASQUILLO GUÍA BGT
GUIDE BUSH BGT

Material: Bronce + grafito / Bronze + graphite
 Dureza / Hardness: HB > 190

STOCK



i Recomendación de montaje / Assembly recommendation
 D1 ≤ 42 : 2 x BRT31 + TCC M8X20
 D1 > 42 : 2 x BRT38 + TCC M10X20

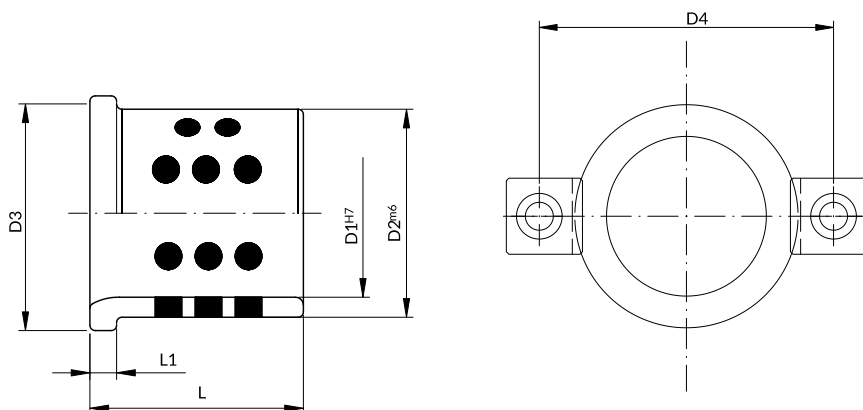
D1	D2	D3	D4	L1	L						
					35	55	70	75	80	100	125
20	28	36	70	8	•	-	-	-	-	-	-
32	40	50	84	8	-	•	-	-	-	-	-
40	50	60	94	8	-	-	•	-	-	-	-
42	50	60	94	8	-	-	•	-	-	-	-
50	63	75	113	12	-	-	-	•	-	-	-
52	63	75	113	12	-	-	-	•	-	-	-
63	80	90	128	12	-	-	-	-	•	-	-
80	100	110	148	12	-	-	-	-	-	•	-
100	125	135	173	12	-	-	-	-	-	-	•

How to order: BGT + D1*L

CASQUILLO GUÍA BGF GUIDE BUSH BGF

Material: Bronce + grafito / Bronze + graphite
Dureza / Hardness: HB > 190

STOCK



i Recomendación de montaje con brida BRM.
Assembly recommendation with BRM clamp.

$D1 \geq 30$: 2 x BRM50 + TCC M8X20

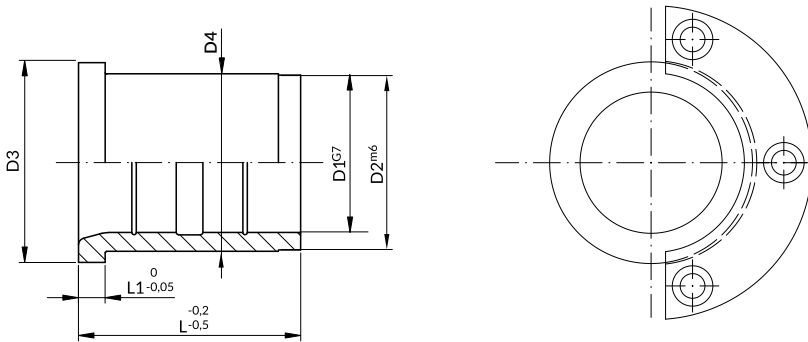
D1	D2	D3	D4	L1	L				
					40	50	70	80	100
25	35	45	51	7	•	-	-	-	-
30	40	50	56	10	-	•	-	-	-
40	55	65	75,5	10	-	-	•	-	-
50	65	75	88	10	-	-	-	•	-
63	78	88	103,5	10	-	-	-	•	-
80	100	110	130,5	10	-	-	-	-	•
100	120	130	153	10	-	-	-	-	•

How to order: BGF + D1*L

CASQUILLO GUÍA CBP
GUIDE BUSH CBP

Material: Bronce / Bronze
 Dureza / Hardness: HB > 190

STOCK



i Recomendación de montaje con brida BRCA, BRCC o BRM.
 Assembly recommendation with BRCA, BRCC or BRM clamp.

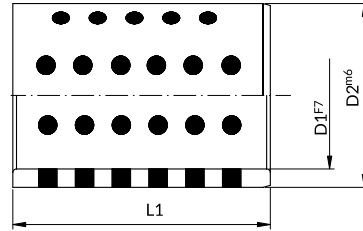
D1	D2	D3	D4	L1	L								
					32	40	50	63	80	100	125	160	
20	28	32	22	4	•	-	-	-	-	-	-	-	-
25	35	40	27	5	-	•	-	-	-	-	-	-	-
32	44	50	34	6	-	-	•	-	-	-	-	-	-
40	52	60	42	8	-	-	-	•	-	-	-	-	-
50	63	71	52	10	-	-	-	-	•	-	-	-	-
63	80	90	65	12	-	-	-	-	-	•	-	-	-
80	100	112	82	16	-	-	-	-	-	-	•	-	-
100	125	140	102	20	-	-	-	-	-	-	-	•	-

How to order: CBP + D1*L

CASQUILLO GUÍA BGA
GUIDE BUSH BGA

Material: Bronce + grafito / Bronze + graphite
 Dureza / Hardness: HB > 190

STOCK



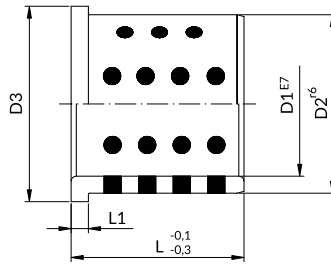
D1	D2	L1																				
		8	10	12	15	16	20	25	30	35	40	45	50	60	70	80	100	120	130	140	150	
8	12	•	•	•	•	-	-	-	-	-	-	-	-	-	-	-	-	-	-	-	-	-
10	14	•	•	•	•	•	•	-	-	-	-	-	-	-	-	-	-	-	-	-	-	-
12	18	-	•	•	•	•	•	•	-	-	-	-	-	-	-	-	-	-	-	-	-	-
13	19	-	•	•	•	-	•	•	-	-	-	-	-	-	-	-	-	-	-	-	-	-
14	20	-	•	•	•	•	•	•	-	-	-	-	-	-	-	-	-	-	-	-	-	-
15	21	-	•	•	•	•	•	•	-	-	-	-	-	-	-	-	-	-	-	-	-	-
16	22	-	•	•	-	•	•	•	•	•	-	-	-	-	-	-	-	-	-	-	-	-
18	24	-	-	-	•	•	•	•	•	•	-	-	-	-	-	-	-	-	-	-	-	-
20	28	-	-	-	•	•	•	•	•	•	•	•	-	-	-	-	-	-	-	-	-	-
20	30	-	-	-	-	•	•	•	•	•	•	•	-	-	-	-	-	-	-	-	-	-
25	33	-	-	-	-	•	•	•	•	•	•	•	•	-	-	-	-	-	-	-	-	-
25	35	-	-	-	-	•	•	•	•	•	•	•	•	-	-	-	-	-	-	-	-	-
30	38	-	-	-	-	-	•	•	•	•	•	•	•	•	-	-	-	-	-	-	-	-
30	40	-	-	-	-	-	•	•	•	•	•	•	•	-	-	-	-	-	-	-	-	-
31,5	40	-	-	-	-	-	-	•	•	•	•	•	•	-	-	-	-	-	-	-	-	-
35	44	-	-	-	-	-	-	-	•	•	•	•	•	•	-	-	-	-	-	-	-	-
35	45	-	-	-	-	-	•	•	•	•	•	•	•	-	-	-	-	-	-	-	-	-
40	50	-	-	-	-	-	•	•	•	•	•	•	•	•	-	-	-	-	-	-	-	-
40	55	-	-	-	-	-	-	•	•	•	•	•	•	•	-	-	-	-	-	-	-	-
45	55	-	-	-	-	-	-	•	•	•	•	•	•	•	-	-	-	-	-	-	-	-
45	56	-	-	-	-	-	-	•	•	•	•	•	•	•	-	-	-	-	-	-	-	-
45	60	-	-	-	-	-	-	-	•	•	•	•	•	•	•	-	-	-	-	-	-	-
50	60	-	-	-	-	-	-	•	•	•	•	•	•	•	•	-	-	-	-	-	-	-
50	62	-	-	-	-	-	-	•	•	•	•	•	•	•	•	-	-	-	-	-	-	-
50	65	-	-	-	-	-	-	-	•	•	•	•	•	•	•	•	-	-	-	-	-	-
55	70	-	-	-	-	-	-	-	-	•	•	•	•	•	•	•	-	-	-	-	-	-
60	74	-	-	-	-	-	-	-	•	•	•	•	•	•	•	•	-	-	-	-	-	-
60	75	-	-	-	-	-	-	-	•	•	•	•	•	•	•	•	-	-	-	-	-	-
63	75	-	-	-	-	-	-	-	-	•	•	•	•	•	•	•	-	-	-	-	-	-
65	80	-	-	-	-	-	-	-	-	-	•	•	•	•	•	•	-	-	-	-	-	-
70	85	-	-	-	-	-	-	-	-	•	•	•	•	•	•	•	-	-	-	-	-	-
70	90	-	-	-	-	-	-	-	-	-	•	•	•	•	•	•	-	-	-	-	-	-
75	90	-	-	-	-	-	-	-	-	-	-	•	•	•	•	•	-	-	-	-	-	-
75	95	-	-	-	-	-	-	-	-	-	-	-	•	•	•	•	-	-	-	-	-	-
80	96	-	-	-	-	-	-	-	-	-	-	-	-	•	•	•	•	-	-	-	-	-
80	100	-	-	-	-	-	-	-	-	-	-	-	-	•	•	•	•	•	-	-	-	-
90	110	-	-	-	-	-	-	-	-	-	-	-	-	-	•	•	•	•	•	-	-	-
100	120	-	-	-	-	-	-	-	-	-	-	-	-	-	•	•	•	•	•	•	-	-
110	130	-	-	-	-	-	-	-	-	-	-	-	-	-	-	•	•	•	•	•	-	-
120	140	-	-	-	-	-	-	-	-	-	-	-	-	-	-	-	•	•	•	•	•	-
125	145	-	-	-	-	-	-	-	-	-	-	-	-	-	-	-	-	•	•	•	•	-
130	150	-	-	-	-	-	-	-	-	-	-	-	-	-	-	-	-	-	•	•	•	-
140	160	-	-	-	-	-	-	-	-	-	-	-	-	-	-	-	-	-	-	•	•	-
150	170	-	-	-	-	-	-	-	-	-	-	-	-	-	-	-	-	-	-	-	•	-
160	180	-	-	-	-	-	-	-	-	-	-	-	-	-	-	-	-	-	-	-	-	•

How to order: BGA + D1*D2*L1

CASQUILLO GUÍA BGB
GUIDE BUSH BGB

Material: Bronce + grafito / Bronze + graphite
 Dureza / Hardness: HB ≥ 190

STOCK



D1	D2	D3	L1	L												
				10	15	20	25	30	35	40	50	60	67,5	80	100	
10	14	22	2	•	•	•	-	-	-	-	-	-	-	-	-	-
12	18	25	3	•	•	•	-	-	-	-	-	-	-	-	-	-
13	19	26	3	•	•	•	-	-	-	-	-	-	-	-	-	-
14	20	27	3	-	•	•	-	-	-	-	-	-	-	-	-	-
15	21	28	3	•	•	•	•	•	-	-	-	-	-	-	-	-
16	22	29	3	-	•	•	•	•	-	-	-	-	-	-	-	-
20	30	40	5	-	•	•	•	•	-	•	-	-	-	-	-	-
25	35	45	5	-	•	•	•	•	-	•	-	-	-	-	-	-
30	40	50	5	-	-	•	•	•	•	•	•	-	-	-	-	-
31,5	40	50	5	-	-	•	-	•	•	-	-	-	-	-	-	-
35	45	60	5	-	-	•	-	•	-	•	•	-	-	-	-	-
40	50	65	5	-	-	•	-	•	-	•	•	-	-	-	-	-
45	55	70	5	-	-	-	-	•	-	•	•	•	-	-	-	-
50	60	75	5	-	-	-	-	•	-	•	•	•	-	-	-	-
55	65	80	5	-	-	-	-	-	-	•	-	•	-	-	-	-
60	75	90	7,5	-	-	-	-	-	-	•	•	•	-	•	-	-
63	75	85	7,5	-	-	-	-	-	-	-	-	-	-	•	-	-
70	85	105	7,5	-	-	-	-	-	-	-	•	-	-	-	•	-
75	90	110	7,5	-	-	-	-	-	-	-	-	•	-	-	-	-
80	100	120	10	-	-	-	-	-	-	-	-	-	•	-	•	•
90	110	130	10	-	-	-	-	-	-	-	-	-	•	-	•	-
100	120	150	10	-	-	-	-	-	-	-	-	-	-	-	•	•
120	140	170	10	-	-	-	-	-	-	-	-	-	-	-	•	•

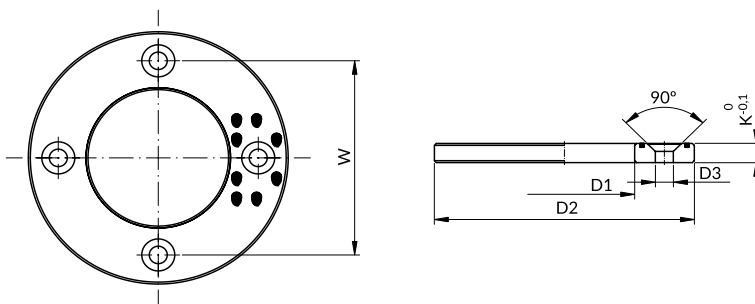
How to order: BGB + D1*D2*L

ARANDELA AUTOLUBRICADA ABG OILLESS WASHER ABG

Materia: Bronce + grafito / Bronze + graphite

Dureza / Hardness: HB \geq 210

STOCK



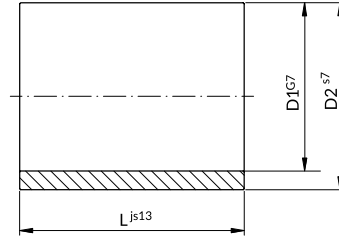
D1	D2	D3	K	W	M	Bolt Holes
10,2	30	3,5	3	20	M3	2
12,2	40	3,5	3	28	M3	2
13,2	40	3,5	3	28	M3	2
14,2	40	3,5	3	28	M3	2
15,2	50	3,5	3	35	M3	2
16,2	50	3,5	3	35	M3	2
18,2	50	3,5	3	35	M3	2
20,2	50	6	5	35	M5	2
25,2	55	6	5	40	M5	2
30,2	60	6	5	45	M5	2
35,2	70	6	5	50	M5	2
40,2	80	7	7	60	M6	2
45,3	90	7	7	67,5	M6	2
50,3	100	7	8	75	M6	4
55,3	110	7	8	85	M6	4
60,3	120	9	8	90	M8	4
65,3	125	9	8	95	M8	4
70,3	130	9	10	100	M8	4
75,3	140	9	10	110	M8	4
80,3	150	9	10	120	M8	4
90,3	170	11	10	140	M10	4
100,5	190	11	10	160	M10	4
120,5	200	11	10	175	M10	4

How to order: ABG + D1 (nominal)

CASQUILLO AUTOLUBRICADO A SELF-LUBRICATING BUSH A

Material: Bronce sinterizado / Sintered bronze
Dureza / Hardness: HB = 35

STOCK



Standard: ISO 2795

D1	D2	L																				
		2	3	4	5	6	8	10	12	14	15	16	18	20	22	25	28	30	32	35	36	
2	5	•	•	-	-	-	-	-	-	-	-	-	-	-	-	-	-	-	-	-	-	-
3	6	-	-	•	•	•	-	•	-	-	-	-	-	-	-	-	-	-	-	-	-	-
4	6	-	-	-	-	-	-	•	•	-	-	-	-	-	-	-	-	-	-	-	-	-
4	7	-	-	•	-	-	-	•	-	•	-	-	-	-	-	-	-	-	-	-	-	-
4	8	-	-	•	-	•	-	•	-	•	-	-	-	-	-	-	-	-	-	-	-	-
5	8	-	-	-	•	-	-	•	-	•	-	-	-	-	-	-	-	-	-	-	-	-
5	9	-	-	-	•	•	-	•	-	-	-	-	-	-	-	-	-	-	-	-	-	-
5	10	-	-	-	•	•	-	•	-	•	-	-	-	-	-	-	-	-	-	-	-	-
6	9	-	-	•	-	•	-	•	-	•	-	-	-	-	-	-	-	-	-	-	-	-
6	10	-	-	•	•	•	-	•	•	-	-	-	-	-	-	-	-	-	-	-	-	-
6	12	-	-	-	•	•	-	•	•	-	-	-	-	-	-	-	-	-	-	-	-	-
7	10	-	-	-	•	•	-	•	-	•	-	-	-	-	-	-	-	-	-	-	-	-
8	10	-	-	-	-	•	-	•	-	•	-	-	-	-	-	-	-	-	-	-	-	-
8	11	-	-	-	-	•	-	•	-	•	-	-	-	-	-	-	-	-	-	-	-	-
8	12	-	-	-	-	•	-	•	-	•	-	-	-	-	-	-	-	-	-	-	-	-
8	14	-	-	-	-	-	-	•	•	•	-	•	-	•	-	-	-	-	-	-	-	-
9	12	-	-	-	-	•	-	•	-	•	-	-	-	-	-	-	-	-	-	-	-	-
9	14	-	-	-	-	-	-	•	•	•	-	•	-	•	-	-	-	-	-	-	-	-
10	13	-	-	-	-	-	-	•	•	•	-	•	-	•	-	•	-	-	-	-	-	-
10	14	-	-	-	-	-	-	•	•	-	-	-	-	•	-	•	-	-	-	-	-	-
10	15	-	-	-	-	-	-	•	•	•	-	•	-	•	-	•	-	-	-	-	-	-
10	16	-	-	-	-	-	-	•	•	-	-	•	-	•	-	•	-	-	-	-	-	-
10	18	-	-	-	-	-	-	•	•	-	-	•	-	•	-	•	-	-	-	-	-	-
12	14	-	-	-	-	-	-	•	•	-	-	•	-	•	-	•	-	-	-	-	-	-
12	15	-	-	-	-	-	-	•	•	-	-	•	-	•	-	•	-	-	-	-	-	-
12	16	-	-	-	-	-	-	•	•	-	-	•	-	•	-	•	-	-	-	-	-	-
12	17	-	-	-	-	-	-	•	•	-	-	•	-	•	-	•	-	-	-	-	-	-
12	18	-	-	-	-	-	-	•	•	-	-	•	-	•	-	•	-	-	-	-	-	-
12	20	-	-	-	-	-	-	•	•	-	-	•	-	•	-	•	-	-	-	-	-	-
14	18	-	-	-	-	-	-	•	•	-	-	•	-	•	-	•	-	-	-	-	-	-
14	20	-	-	-	-	-	-	•	•	-	-	•	-	•	-	•	-	-	-	-	-	-
14	22	-	-	-	-	-	-	•	•	-	-	•	-	•	-	•	-	-	-	-	-	-
15	18	-	-	-	-	-	-	•	•	-	-	•	-	•	-	•	-	-	-	-	-	-
15	19	-	-	-	-	-	-	•	•	-	-	•	-	•	-	•	-	-	-	-	-	-
15	20	-	-	-	-	-	-	•	•	-	-	•	-	•	-	•	-	-	-	-	-	-
15	21	-	-	-	-	-	-	•	•	-	-	•	-	•	-	•	-	-	-	-	-	-
15	22	-	-	-	-	-	-	•	•	-	-	•	-	•	-	•	-	-	-	-	-	-
16	20	-	-	-	-	-	-	•	•	-	-	•	-	•	-	•	-	-	-	-	-	-
16	22	-	-	-	-	-	-	•	•	-	-	•	-	•	-	•	-	-	-	-	-	-
17	22	-	-	-	-	-	-	•	•	-	-	•	-	•	-	•	-	-	-	-	-	-
18	22	-	-	-	-	-	-	•	•	-	-	•	-	•	-	•	-	-	-	-	-	-
18	24	-	-	-	-	-	-	•	•	-	-	•	-	•	-	•	-	-	-	-	-	•
18	25	-	-	-	-	-	-	•	•	-	-	•	-	•	-	•	-	-	-	-	-	•

Continúa en la siguiente página...

Continue next page...

Continue next page...

How to order: A + D1*D2*L

CASQUILLO AUTOLUBRICADO A
SELF-LUBRICATING BUSH A

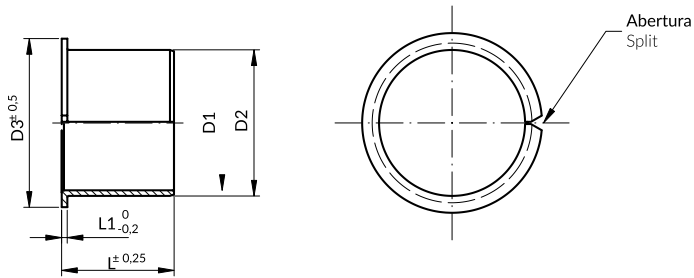
D1	D2	L																							
		15	16	18	20	22	24	25	28	30	32	35	36	38	40	45	50	55	56	60	63	70	80	90	120
20	24	-	•	-	•	-	-	•	-	-	•	-	-	-	-	-	-	-	-	-	-	-	-	-	-
20	25	•	•	-	•	-	-	•	-	-	•	•	-	-	-	-	-	-	-	-	-	-	-	-	-
20	26	•	•	-	•	-	-	•	-	-	•	•	-	-	-	-	-	-	-	-	-	-	-	-	-
20	27	-	•	-	•	-	-	•	-	-	•	-	-	-	-	-	-	-	-	-	-	-	-	-	-
20	28	-	•	-	•	-	-	•	-	-	•	•	-	-	•	-	-	-	-	-	-	-	-	-	-
20	30	-	-	-	•	-	-	•	-	-	•	•	-	-	•	-	-	-	-	-	-	-	-	-	-
22	27	•	-	•	•	•	-	•	•	•	-	•	•	-	•	-	-	-	-	-	-	-	-	-	-
22	28	-	-	•	•	•	-	•	•	•	-	•	•	-	•	-	-	-	-	-	-	-	-	-	-
22	29	-	-	•	-	•	-	-	•	-	-	-	•	-	-	-	-	-	-	-	-	-	-	-	-
25	30	-	-	-	•	-	-	•	-	-	•	•	-	-	•	-	-	-	-	-	-	-	-	-	-
25	32	-	-	-	-	-	-	•	-	-	•	•	-	-	•	•	-	-	-	-	-	-	-	-	-
25	35	-	-	-	-	-	-	•	-	-	•	•	-	-	•	•	•	-	-	-	-	-	-	-	-
28	32	-	-	-	•	•	-	•	•	-	•	-	•	-	•	-	-	-	-	-	-	-	-	-	-
28	33	-	-	-	•	•	-	•	•	-	•	-	•	-	•	•	-	-	-	-	-	-	-	-	-
28	35	-	-	-	-	-	-	•	-	-	•	-	•	-	•	•	-	-	-	-	-	-	-	-	-
28	36	-	-	-	-	•	-	-	•	-	-	-	•	-	-	•	-	-	•	-	-	-	-	-	-
30	35	-	-	-	•	-	-	•	-	-	•	-	•	-	•	•	•	-	-	-	-	-	-	-	-
30	38	-	-	-	•	-	•	•	-	•	-	•	-	•	•	•	•	-	-	-	-	-	-	-	-
30	40	-	-	-	•	-	-	•	-	-	•	-	•	-	•	•	•	-	-	-	-	-	-	-	-
32	38	-	-	-	•	-	-	•	-	-	•	-	-	•	-	•	-	-	-	-	-	-	-	-	-
32	40	-	-	-	•	-	-	•	-	-	•	•	-	-	•	•	•	-	-	-	-	-	-	-	-
35	40	-	-	-	•	-	-	•	-	-	•	-	-	•	•	•	-	-	-	-	-	-	-	-	-
35	41	-	-	-	-	-	-	•	-	-	-	•	-	-	•	-	-	-	-	-	-	-	-	-	-
35	44	-	-	-	-	•	-	-	•	-	•	-	-	-	-	-	-	-	-	-	-	-	-	-	-
35	45	-	-	-	-	-	-	•	-	-	•	-	-	•	-	•	•	-	-	•	-	-	-	-	-
36	42	-	-	-	-	•	-	-	•	-	-	-	•	-	-	•	-	-	-	-	-	-	-	-	-
36	45	-	-	-	-	•	-	-	•	-	-	-	•	-	-	•	-	-	-	-	-	-	-	-	-
38	44	-	-	-	-	-	-	•	-	-	-	•	-	-	•	-	-	-	-	-	-	-	-	-	-
40	45	-	-	-	-	-	-	-	-	-	-	•	-	-	•	•	•	-	-	-	-	-	-	-	-
40	46	-	-	-	-	-	-	•	-	-	•	•	-	-	-	•	-	•	-	-	-	-	-	-	-
40	50	-	-	-	-	-	-	•	-	-	•	-	-	•	•	•	-	-	•	-	-	-	-	-	-
45	51	-	-	-	-	-	-	-	•	-	-	•	-	-	•	-	-	•	-	-	-	-	-	-	-
45	55	-	-	-	-	-	-	-	-	•	-	•	-	-	•	•	•	-	•	-	-	-	-	-	-
45	56	-	-	-	-	-	-	-	•	-	-	-	•	-	-	•	-	-	•	-	-	-	-	-	-
45	60	-	-	-	-	-	-	-	-	-	-	-	-	•	•	•	-	-	•	-	-	-	-	-	-
50	56	-	-	-	-	-	-	-	-	-	-	•	-	-	•	-	-	-	-	-	•	-	-	-	-
50	60	-	-	-	-	-	-	-	-	-	•	-	-	-	•	•	-	-	•	-	-	-	-	-	-
55	65	-	-	-	-	-	-	-	-	-	-	-	-	-	•	-	-	•	-	-	-	•	-	-	-
60	70	-	-	-	-	-	-	-	-	-	-	-	-	-	-	-	•	-	-	•	-	-	-	•	•
60	72	-	-	-	-	-	-	-	-	-	-	-	-	-	-	-	•	-	-	•	-	•	-	-	-
60	80	-	-	-	-	-	-	-	-	-	-	-	-	-	-	-	-	-	-	-	-	-	-	•	•
63	70	-	-	-	-	-	-	-	-	-	-	-	-	-	•	-	•	-	-	-	-	-	-	-	-
70	80	-	-	-	-	-	-	-	-	-	-	-	-	-	-	-	-	-	-	-	-	-	-	•	•
80(G8)	100(S8)	-	-	-	-	-	-	-	-	-	-	-	-	-	-	-	-	-	-	-	-	-	-	•	•
100(G8)	120(S8)	-	-	-	-	-	-	-	-	-	-	-	-	-	-	-	-	-	-	-	-	-	-	•	•

How to order: A + D1*D2*L

CASQUILLO AUTOLUBRICADO GLYB
SELF-LUBRICATING BUSH GLYB

Material: Acero + PTFE / Steel + PTFE

STOCK



Standard: DIN 1494 - ISO 3548

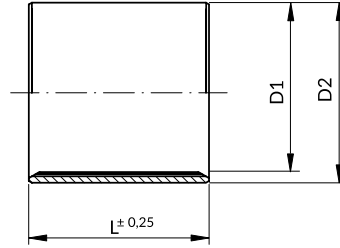
D1	D2	D3	L1	L																				
				4	5.5	7	7.5	8	9	9.5	11.5	12	12.7	15	16	16.5	17	20	21.5	22	26	30	40	
6	8	12	1	•	-	•	-	•	-	-	-	-	-	-	-	-	-	-	-	-	-	-	-	-
8	10	15	1	•	•	-	•	-	-	•	-	-	-	-	-	-	-	-	-	-	-	-	-	-
10	12	18	1	-	-	•	-	-	•	-	-	•	-	-	-	-	•	-	-	-	-	-	-	-
12	14	20	1	-	-	•	-	-	•	-	-	•	-	-	-	-	•	-	-	-	-	-	-	-
14	16	22	1	-	-	-	-	-	-	-	-	-	-	-	-	-	•	-	-	-	-	-	-	-
15	17	23	1	-	-	-	-	-	•	-	-	•	-	-	-	-	•	-	-	-	-	-	-	-
16	18	24	1	-	-	-	-	-	•	-	-	•	-	-	-	-	•	-	-	-	-	-	-	-
18	20	26	1	-	-	-	-	-	-	-	-	•	-	-	-	-	•	-	-	•	-	-	-	-
20	23	30	1.5	-	-	-	-	-	-	-	-	•	-	-	•	-	•	-	-	•	-	-	-	-
22	25	32	1.5	-	-	-	-	-	-	-	-	•	-	-	-	•	-	-	-	-	-	-	-	-
25	28	35	1.5	-	-	-	-	-	-	-	-	•	-	-	-	•	-	-	•	-	-	-	-	-
30	34	42	2	-	-	-	-	-	-	-	-	-	-	-	-	•	-	-	-	-	-	•	-	-
35	39	47	2	-	-	-	-	-	-	-	-	-	-	-	-	•	-	-	-	-	-	-	•	-
40	44	53	2	-	-	-	-	-	-	-	-	-	-	-	-	•	-	-	-	-	-	-	•	-
45	50	60	2.5	-	-	-	-	-	-	-	-	-	-	-	-	-	-	-	-	-	-	•	•	•
50	55	65	2.5	-	-	-	-	-	-	-	-	-	-	-	-	-	-	-	-	-	-	-	•	•

How to order: GLYB + D1*L

CASQUILLO AUTOLUBRICADO GLY
SELF-LUBRICATING BUSH GLY

Material: Acero + PTFE / Steel + PTFE

STOCK



Standard: DIN 1494 - ISO 3547

D1	D2	L																
		3	4	5	6	8	10	12	15	20	25	30	35	40	45	50	60	70
3	4.5	•	•	•	•	-	-	-	-	-	-	-	-	-	-	-	-	-
4	5.5	•	•	•	•	-	•	-	-	-	-	-	-	-	-	-	-	-
5	7	-	-	•	-	•	•	-	-	-	-	-	-	-	-	-	-	-
6	8	-	•	•	•	•	•	•	-	-	-	-	-	-	-	-	-	-
7	9	-	-	-	-	-	•	-	-	-	-	-	-	-	-	-	-	-
8	10	-	-	-	•	•	•	•	•	•	-	-	-	-	-	-	-	-
10	12	-	-	-	•	•	•	•	•	•	•	-	-	-	-	-	-	-
12	14	-	-	-	•	•	•	•	•	•	•	-	-	-	-	-	-	-
13	15	-	-	-	-	-	•	-	-	•	-	-	-	-	-	-	-	-
14	16	-	-	-	-	-	•	•	•	•	•	-	-	-	-	-	-	-
15	17	-	-	-	-	•	•	•	•	•	•	•	-	-	-	-	-	-
16	18	-	-	-	-	-	•	•	•	•	•	•	-	-	-	-	-	-
17	19	-	-	-	-	-	•	-	•	•	-	-	-	-	-	-	-	-
18	20	-	-	-	-	-	•	•	•	•	•	-	-	-	-	-	-	-
20	22	-	-	-	-	-	-	•	•	•	•	•	-	-	-	-	-	-
20	23	-	-	-	-	-	•	•	•	•	•	•	-	-	-	-	-	-
22	25	-	-	-	-	•	•	•	•	•	•	•	-	-	-	-	-	-
24	27	-	-	-	-	-	-	•	•	•	•	•	-	-	-	-	-	-
25	28	-	-	-	-	-	•	•	•	•	•	•	-	•	-	•	-	-
28	32	-	-	-	-	-	-	•	•	•	•	•	-	-	-	-	-	-
30	34	-	-	-	-	-	•	•	•	•	•	•	•	-	•	-	-	-
32	36	-	-	-	-	-	-	-	•	•	•	•	-	•	-	-	-	-
35	39	-	-	-	-	-	-	-	•	•	•	•	•	-	•	-	-	-
38	42	-	-	-	-	-	-	-	•	-	•	-	•	-	-	-	-	-
40	44	-	-	-	-	-	-	-	•	•	•	•	•	•	-	•	-	-
45	50	-	-	-	-	-	-	-	•	-	•	-	•	-	•	-	-	-
50	55	-	-	-	-	-	-	-	•	-	•	-	•	-	•	-	•	-
55	60	-	-	-	-	-	-	-	•	•	•	-	•	-	•	-	•	-
60	65	-	-	-	-	-	-	-	•	•	•	-	•	-	•	-	•	•

Continúa en la siguiente página...
 Continue next page...

How to order: GLY + D1*D2*L

CASQUILLO AUTOLUBRICADO GLY
SELF-LUBRICATING BUSH GLY

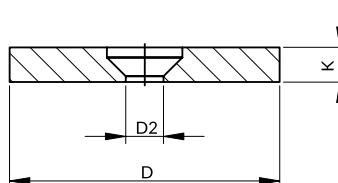
D1	D2	L								
		30	40	50	60	70	80	100	115	130
65	70	•	-	•	•	•	-	-	-	-
70	75	•	•	•	•	•	•	-	-	-
75	80	•	•	•	•	-	•	-	-	-
80	85	-	•	•	•	-	•	•	-	-
85	90	•	•	-	•	-	-	•	-	-
90	95	•	•	•	•	-	•	•	-	-
95	100	-	-	-	•	-	-	•	-	-
100	105	-	-	•	•	-	•	•	•	-
105	110	-	-	-	•	-	-	-	•	-
110	115	-	-	•	•	-	-	•	•	•
115	120	-	-	•	•	-	-	-	-	-
120	125	-	•	•	•	-	-	•	-	-
125	130	-	-	-	•	-	-	•	-	-
130	135	-	-	-	•	-	-	•	-	-
135	140	-	-	-	-	-	•	•	-	-
140	145	-	-	-	•	-	-	•	-	-
150	155	-	-	•	•	-	•	•	-	-
155	160	-	-	-	•	-	-	•	-	-
160	165	-	-	-	-	-	•	•	-	-
165	170	-	-	-	-	-	-	•	-	-
170	175	-	-	-	•	-	-	-	-	-
180	185	-	-	-	•	-	-	•	-	-
190	195	-	-	-	-	-	-	•	-	-
200	205	-	-	-	-	-	•	•	-	-
210	215	-	-	-	-	-	-	•	-	-
220	225	-	-	-	-	-	-	•	-	-
250	255	-	-	-	-	-	-	•	-	-
300	305	-	-	-	-	-	-	•	-	-

How to order: GLY + D1*D2*L

ARANDELA PARA COLUMNA RTE WASHER FOR PILLAR RTE

Material: 1.1730

STOCK



i Recomendación de montaje con tornillo TCO.
Assembly recommendation with TCO screw.

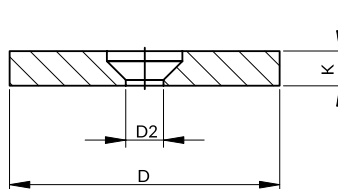
Code	Ø PILL	D	K	D2
RTE-1	18/19	25	6	9
RTE-2	24/25	32	7	11
RTE-3	30/32	40	7	11
RTE-4	40/42	50	9	13
RTE-5	50/52	62	9	13
RTE-6	63	73	9	13
RTE-7	80	93	12	13

How to order: Code

ARANDELA PARA COLUMNA RTI WASHER FOR PILLAR RTI

Material: 1.1730

STOCK



i Recomendación de montaje con tornillo TCO.
Assembly recommendation with TCO screw.

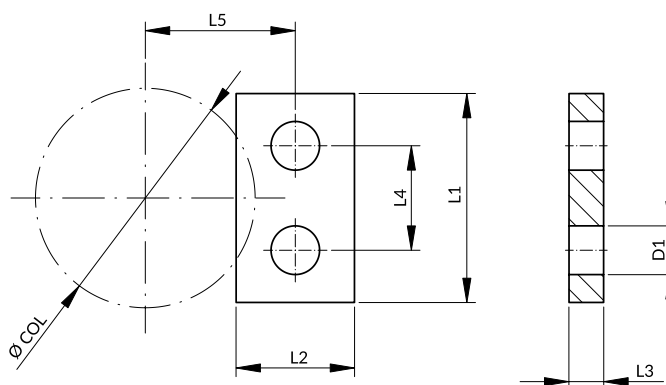
Code	Ø PILL	D	K	D2
RTI-1	19/20	25	6	8,5
RTI-2	24/25	32	6	8,5
RTI-3	30/32	40	6	8,5
RTI-4	38/40	50	6	8,5
RTI-5	48/50	60	6	8,5
RTI-6	60/63	70	6	8,5
RTI-7	80	93	12	12,5

How to order: Code

BRIDA DE RETENCIÓN BRC RETAINING CLAMP BRC

Material: 1.1730

STOCK



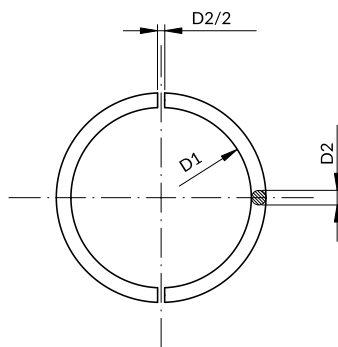
Code	Ø COL	D1	L1	L2	L3	L4	L5
BRC-2	25	9	40	20	5	20	20,5
BRC-2	32	9	40	20	5	20	24
BRC-4	40	11	48	25	8	24	29,5
BRC-4	50	11	48	25	8	24	33,5
BRC-6	63	14	60	34	10	30	43
BRC-6	80	14	60	34	10	30	50

How to order: Code

ANILLO RETENCIÓN COLUMNA ANR RETAINING RING FOR PILLAR ANR

Material: Acero St37 / St 37 steel

STOCK



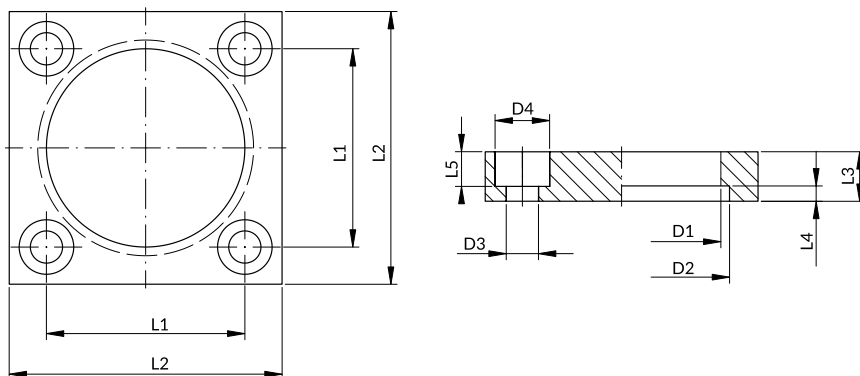
Ø PILL	D1	D2
25	22,5	2,5
32	28	4
40	36	4
50	46	4
63	57	6
80	74	6
100	94	6

How to order: ANR + Ø PILL

BRIDA RETENCIÓN COLUMNA BRCO RETAINING CLAMP FOR PILLAR BRCO

Material: 1.1730

STOCK



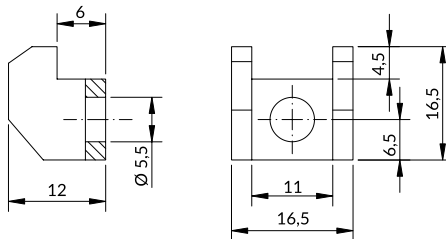
Standard: AFNOR

D1	D2	D3	D4	L1	L2	L3	L4	L5
25	28	6,6	12	31	45	10	2,7	7
32	37	6,6	12	36	56	10	4,2	7
40	45	6,6	12	50	70	12	4,2	7
50	55	9	16	55	80	14	4,2	9
63	70	11	18	70	100	18	6,2	11
80	87	13	22	80	110	20	6,2	14
100	107	13	22	100	140	20	6,2	14

How to order: BRCO + D1

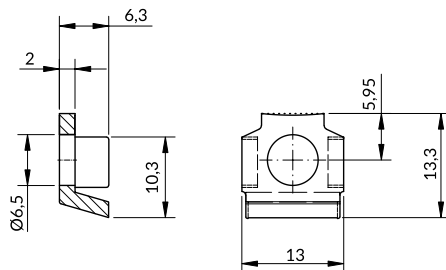
BRIDA DE RETENCIÓN BREN 5
RETAINING CLAMP **BREN 5**

STOCK



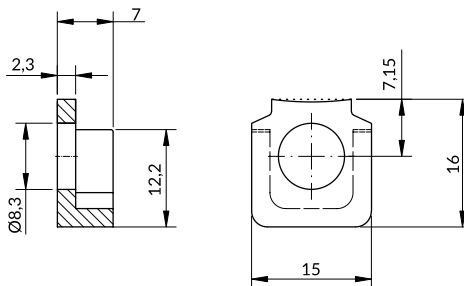
BRIDA DE RETENCIÓN BRE 6
RETAINING CLAMP **BRE 6**

STOCK



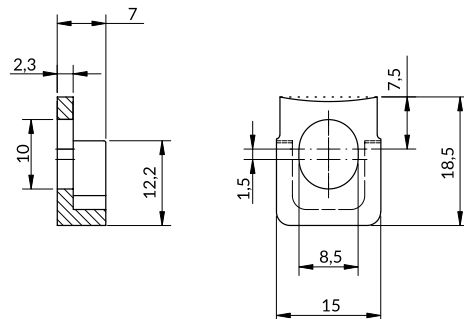
BRIDA DE RETENCIÓN BRE 8
RETAINING CLAMP **BRE 8**

STOCK



BRIDA DE RETENCIÓN BREA 8
RETAINING CLAMP **BREA 8**

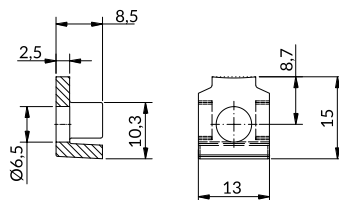
STOCK



How to order: BRE_

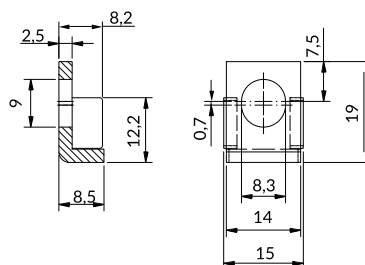
BRIDA DE RETENCIÓN BREI 6
RETAINING CLAMP BREI 6

STOCK



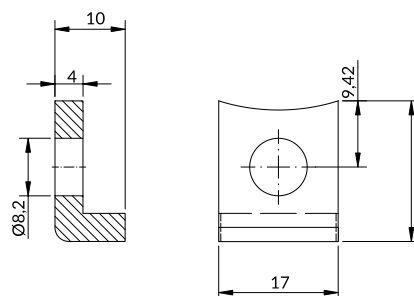
BRIDA DE RETENCIÓN BREI 8
RETAINING CLAMP BREI 8

STOCK



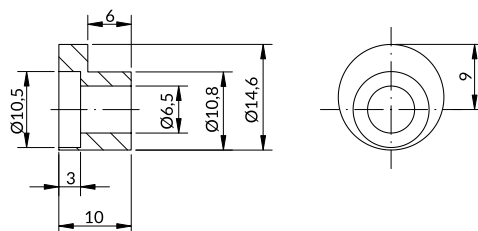
BRIDA DE RETENCIÓN BREI 8P
RETAINING CLAMP BREI 8P

STOCK



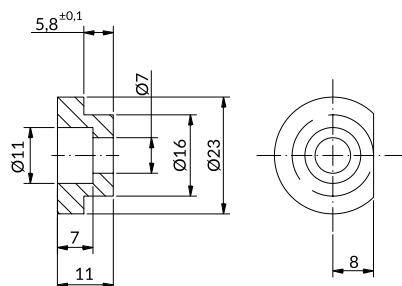
BRIDA DE RETENCIÓN BREI14
RETAINING CLAMP BREI14

STOCK



BRIDA DE RETENCIÓN BREI 23
RETAINING CLAMP BREI23

STOCK

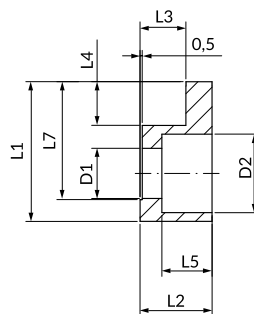
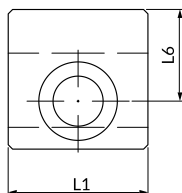


How to order: BREI_

BRIDA DE RETENCIÓN BRW
RETAINING CLAMP BRW

Material: 1.1730

STOCK



i Recomendación de montaje con tornillo TCC.
 Assembly recommendation with TCC screw.

Standard: DIN 9832

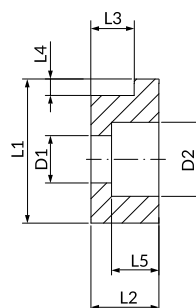
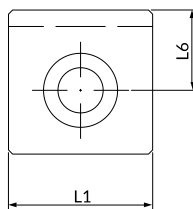
Ø BUSH	L1	L2	L3	L4	L5	L6	L7	D1	D2	Screw
25-50	20	10	6,3	5	7	12,5	16	7	11	M6
63-160	32	16	10	10	11,5	21	27	11,5	18	M10

How to order: BRW + L1

BRIDA DE RETENCIÓN BRM
RETAINING CLAMP BRM

Material: 1.1730

STOCK



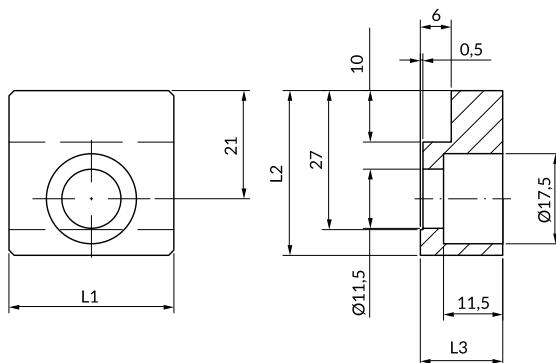
i Recomendación de montaje con tornillo TCC.
 Assembly recommendation with TCC screw.

Ø BUSH	L1	L2	L3	L4	L5	L6	D1	D2
20	16	10	4	4	5,5	10	5,5	10
25	16	10	5	4	6	10	5,5	10
32	16	10	6	4	6	10	5,5	10
40	25	12	8	4	7	14,5	6,6	12
50	30	16	10	4	9	17	9	16
63	35	20	12	4	11	19,5	11	18
80	45	25	16	4	13	24,5	14	22
100	50	32	20	4	13	27	14	22

How to order: BRM + Ø BUSH

BRIDA DE RETENCIÓN BRN RETAINING CLAMP BRN

Material: 1.1730



i Recomendación de montaje con tornillo TCC.
Assembly recommendation with TCC screw.

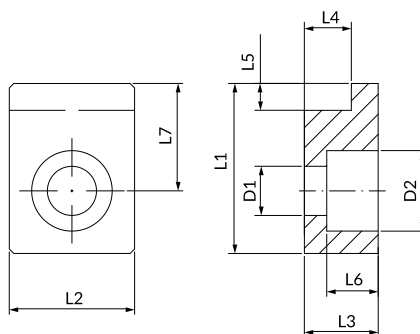
L1	L2	L3	Screw
32	32	16	M10

How to order: BRN + L1

BRIDA DE RETENCIÓN BRT RETAINING CLAMP BRT

Material: 1.1730

STOCK



i Recomendación de montaje con tornillo TCC.
Assembly recommendation with TCC screw.

Ø CASQ. / BUSH	L1	L2	L3	L4	L5	L6	L7	D1	D2
20-42	31	22	12	8	4	8	20	9	15
50-100	38	28	20	12	6	10	24	11	18

How to order: BRT + L1

BRIDA MECANIZADA BRO
TOE CLAMP BRO

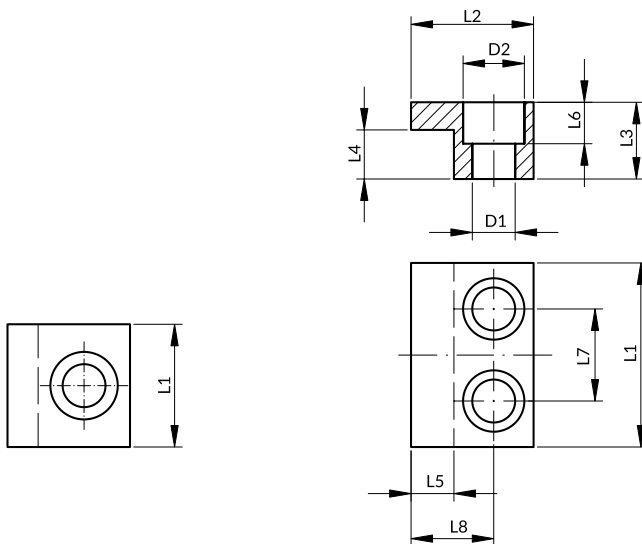
Material: 1.1730

STOCK



Form A

Form B



i Recomendación de montaje con tornillo TCC.
 Assembly recommendation with TCC screw.

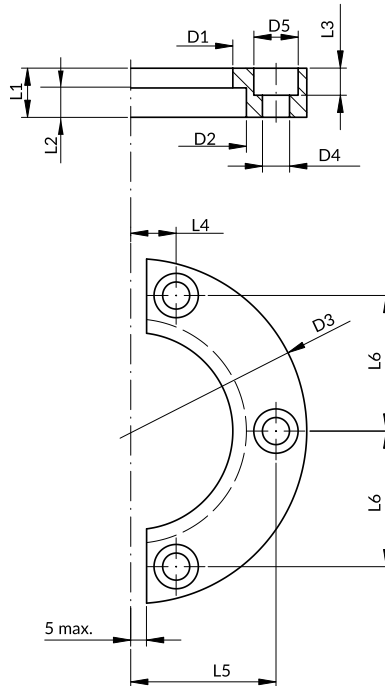
Code	Ø BUSH	L1	L2	L3	L4	L5	L6	L7	L8	D1	D2	Form
BRO-1	25-32	20	20	10	5	5	7	-	12,5	7	11	A
BRO-2	40	40	20	12	8	5	7	20	12,5	7	11	B
BRO-3	50	40	25	14	8	6	9	20	15,5	9,5	14,5	B
BRO-4	63-80	50	28	16	10	8	11,5	25	18	11,5	17,5	B
BRO-5	≥ 100	60	40	25	16	14	13,5	30	27	14	20	B

How to order: Code

BRIDA PARA CASQUILLO BRCA CLAMP FOR BUSH BRCA

Material: 1.1730

STOCK



Standard: AFNOR

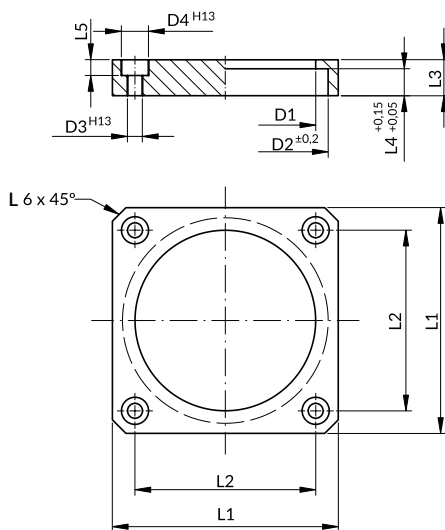
Ø BUSH	D1	D2	D3	L1	L2	L3	D4	D5	L4	L5	L6
25	32	41	72	10	5	7	6,6	12	20	-	20
32	40	51	80	12	6	7	6,6	12	21	-	25
40	32	61	100	12	8	7	6,6	12	14	41	38,5
50	63	73	125	16	10	9	9	16	17	49	46
63	80	91	140	20	12	11	11	18	17	57,5	55
80	100	113	180	25	16	13	14	22	20	72	70
100	125	141	200	32	20	13	14	22	25	85	81

How to order: BRCA + Ø BUSH

BRIDA PARA CASQUILLO BRCC
CLAMP FOR BUSH BRCC

Material: 1.1730

STOCK



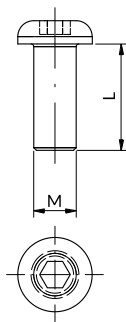
Ø BUSH	D1	D2	D3	D4	L1	L2	L3	L4	L5	L6
40	50	61	6,6	12	75	58	12	8	7	6
50	60	72	9	16	85	65	16	10	9	7
63	80	91	9	16	100	80	16	12	9	7
80	100	113	9	16	117	98	20	16	12	9

How to order: BRCC + Ø BUSH

TORNILLO TCI
SCREW TCI

Material: 10.9

STOCK



Standard: ISO 7380

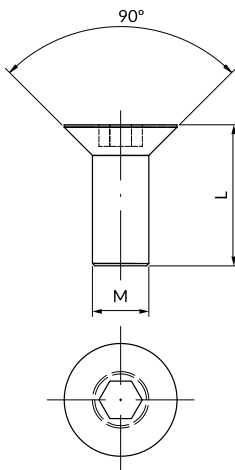
M	L
6	15
8	20

How to order: TCI + M*L

TORNILLO TCO
SCREW TCO

Material: 12.9

STOCK



Standard: DIN 7991 - ISO 10642

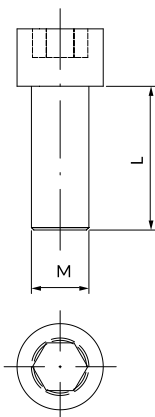
M	L
8	20
10	20
12	30

How to order: TCO + M*L

TORNILLO TCC
SCREW TCC

Material: 12.9

STOCK



Norma / Standard: DIN 912

M	L
5	16
6	16
8	20
10	20

How to order: TCC + M*L

PLACA PBGF
WEAR PLATE PBGF

Material: Bronze + grafito / Bronze + Graphite
Dureza / Hardness: HB > 190

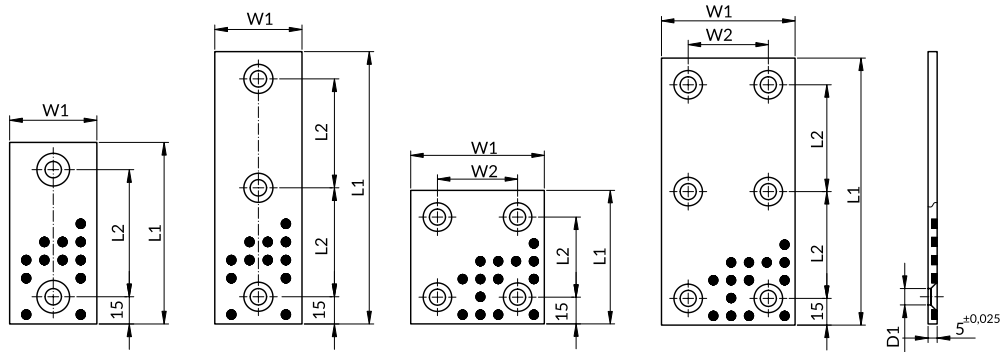


Form A

Form B

Form C

Form D



W1	W2	L1	L2	D1	Form
18	-	50	20	6,5	A
18	-	75	45	6,5	A
18	-	100	70	6,5	A
18	-	150	60	6,5	B
28	-	50	20	9	A
28	-	75	45	9	A
28	-	100	70	9	A
28	-	150	60	9	B
38	-	50	20	9	A
38	-	75	45	9	A
38	-	100	70	9	A
38	-	150	60	9	B

W1	W2	L1	L2	D1	Form
48	-	75	45	9	A
48	-	100	70	9	A
48	-	125	95	9	A
48	-	150	60	9	B
75	45	75	45	9	C
75	45	100	70	9	C
75	45	125	95	9	C
75	45	150	60	9	D
100	70	100	70	9	C
100	70	125	95	9	C
100	70	150	60	9	D

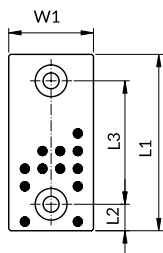
How to order: PBGF + W1*L1

PLACA PBGL
WEAR PLATE PBGL

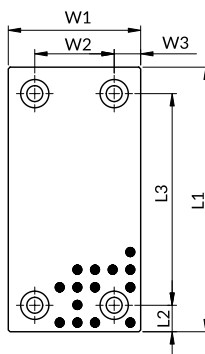
Material: Bronze + grafito / Bronze + Graphite
Dureza / Hardness: HB > 190



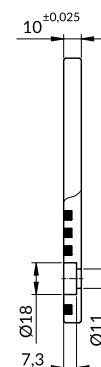
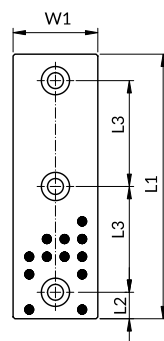
Form A



Form B



Form C



W1	W2	W3	L1	L2	L3	Form
28	-	-	75	15	45	A
28	-	-	100	25	50	A
28	-	-	125	25	75	A
28	-	-	150	25	100	A
38	-	-	75	15	45	A
38	-	-	100	25	50	A
38	-	-	125	25	75	A
38	-	-	150	25	100	A
48	-	-	75	15	45	A
48	-	-	100	25	50	A
48	-	-	125	25	75	A
48	-	-	150	25	100	A
48	-	-	200	50	100	A
58	-	-	75	15	45	A
58	-	-	100	25	50	A
58	-	-	125	25	75	A
58	-	-	150	25	100	A

W1	W2	W3	L1	L2	L3	Form
58	-	-	200	50	100	A
75	-	-	75	15	45	A
75	-	-	100	25	50	A
75	-	-	125	25	75	A
75	-	-	150	25	100	A
75	-	-	200	25	75	C
100	50	25	100	25	50	B
100	50	25	125	25	75	B
100	50	25	150	25	100	B
100	50	25	200	25	150	B
100	50	25	250	25	200	B
125	50	37,5	150	25	100	B
125	50	37,5	200	25	150	B
125	50	37,5	250	25	200	B
150	100	25	150	25	100	B
150	100	25	200	25	150	B

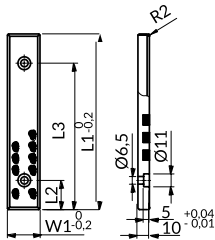
How to order: PBGL + W1*L1

PLACA PBN
WEAR PLATE PBN

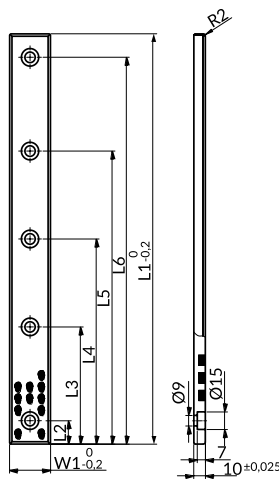
Material: Bronze + grafito / Bronze + Graphite
Dureza / Hardness: HB > 190



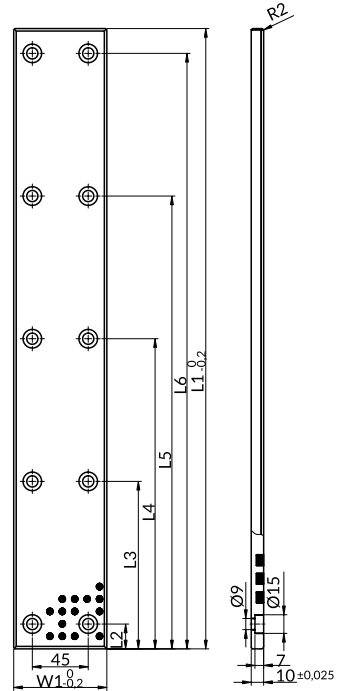
Form A



Form B



Form C



W1	L1	L2	L3	L4	L5	L6	Forma / Form
18	75	15	60	-	-	-	A
18	100	25	75	-	-	-	A
18	125	25	100	-	-	-	A
18	150	25	125	-	-	-	A
28	75	15	60	-	-	-	A
28	100	25	75	-	-	-	A
28	125	25	100	-	-	-	A
28	150	25	125	-	-	-	A
35	100	20	80	-	-	-	B
35	150	20	75	130	-	-	B
35	200	20	75	125	180	-	B
35	250	20	90	160	230	-	B
35	300	20	85	150	215	280	B
35	350	20	100	175	250	330	B
38	75	15	60	-	-	-	A
38	100	25	75	-	-	-	A
38	125	25	100	-	-	-	A
38	150	25	125	-	-	-	A

W1	L1	L2	L3	L4	L5	L6	Forma / Form
48	75	15	60	-	-	-	A
48	100	25	75	-	-	-	A
48	125	25	100	-	-	-	A
48	150	25	125	-	-	-	A
50	100	20	80	-	-	-	B
50	150	20	75	130	-	-	B
50	200	20	75	125	180	-	B
50	250	20	90	160	230	-	B
50	300	20	85	150	215	280	B
50	350	20	100	175	250	330	B
50	400	20	110	200	290	380	B
75	150	20	130	-	-	-	C
75	200	20	100	180	-	-	C
75	250	20	125	230	-	-	C
75	300	20	105	195	280	-	C
75	400	20	140	260	380	-	C
75	500	20	135	250	365	480	C

How to order: PBN + W1*L1

PLACA PBGG - PACG
WEAR PLATE PBGG - PACG

PBGG



Material: **Bronce + grafito** / Bronze + Graphite
Dureza / Hardness: **HB > 190**

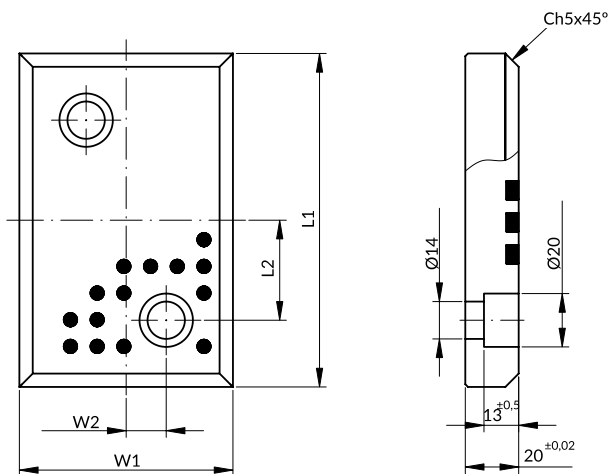
STOCK

PACG



Material: **Acero Cementación** / Case Hardened Steel
Dureza / Hardness: **58-60 HRC**

STOCK



W1	W2	L1	L2
80	15	100	25
80	15	125	37,5

How to order: PBGG + W1*L1 / PACG + W1*L1

PLACA PBGV - PACV
WEAR PLATE PBGV - PACV

PBGV

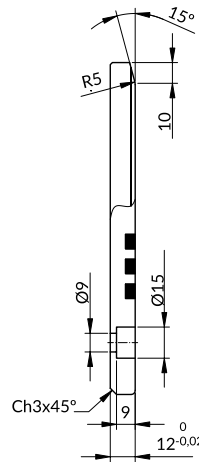
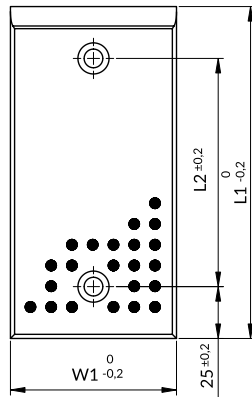


Material: Bronce + grafito / Bronze + Graphite
Dureza / Hardness: HB > 190

PACV



Material: Acero Cementación / Case Hardened Steel
Dureza / Hardness: 58-60 HRC



Standard: VDI 3357

W1	L1	L2
30	80	30
30	100	50
30	125	75
30	160	110
30	200	150
40	80	30
40	100	50
40	125	75
40	160	110
40	200	150
50	80	30
50	100	50
50	125	75
50	160	110

W1	L1	L2
50	200	150
50	200	150
60	80	30
60	100	50
60	125	75
60	160	110
60	200	150
80	80	30
80	100	50
80	125	75
80	160	110
80	200	150

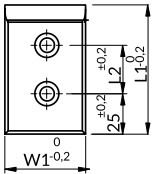
How to order: PBGV + W1*L1
PACV + W1*L1

PLACA PSTV
WEAR PLATE PSTV

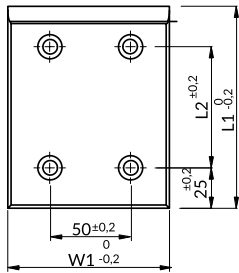
Material: ST 42 + Capa sinterizada / ST 42 + Sintered Layer



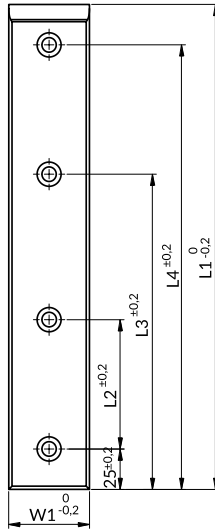
Form A



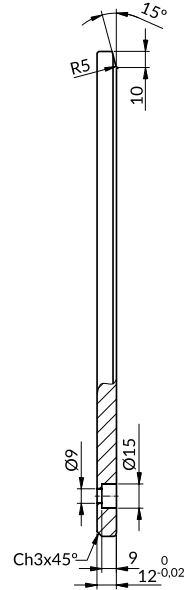
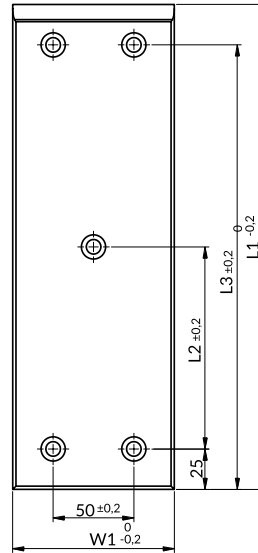
Form B



Form C



Form D



Standard: VDI 3357

W1	L1	L2	L3	L4	Forma / Form
30	80	30	-	-	A
30	100	50	-	-	A
30	125	75	-	-	A
30	160	110	-	-	A
30	200	150	-	-	A
40	80	30	-	-	A
40	100	50	-	-	A
40	125	75	-	-	A
40	160	110	-	-	A
40	200	150	-	-	A
50	80	30	-	-	A
50	100	50	-	-	A
50	125	75	-	-	A
50	160	110	-	-	A
50	200	150	-	-	A
50	250	60	165	225	C
50	300	80	195	275	C
50	350	100	225	325	C

W1	L1	L2	L3	L4	Forma / Form
50	400	120	255	375	C
60	80	30	-	-	A
60	100	50	-	-	A
60	125	75	-	-	A
60	160	110	-	-	A
60	200	150	-	-	A
80	80	30	-	-	A
80	100	50	-	-	A
80	125	75	-	-	A
80	160	110	-	-	A
80	200	150	-	-	A
100	125	75	-	-	B
100	160	110	-	-	B
100	200	150	-	-	B
100	250	200	-	-	B
100	300	125	275	-	D

How to order: PSTV + W1*L1

PLACA PBGW - PSTW - PACW
WEAR PLATE PBGW - PSTW - PACW

PBGW



Material: Bronce + grafito / Bronze + Graphite
 Dureza / Hardness: HB > 190

PSTW



Material: ST 42 + Capa sinterizada / ST 42 + Sintered Layer

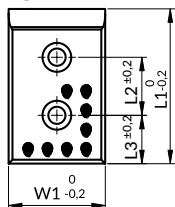
PACW



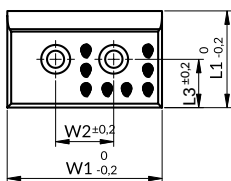
Material: Acero Cementación / Case Hardened Steel
 Dureza / Hardness: 58-60 HRC

Standard: VDI 3357

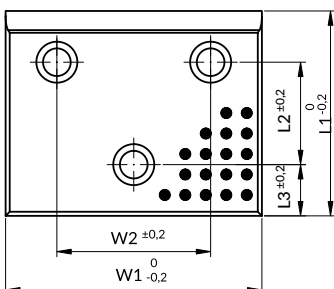
Form A



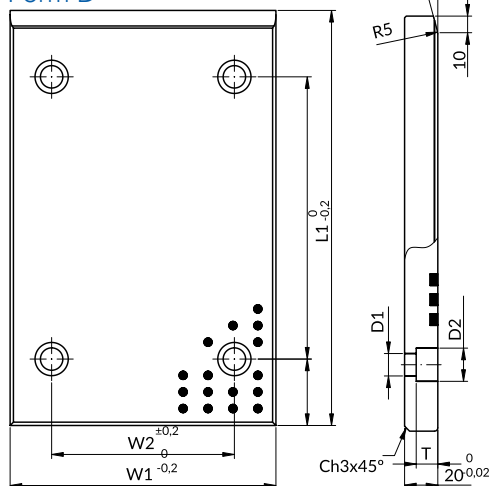
Form B



Form C



Form D

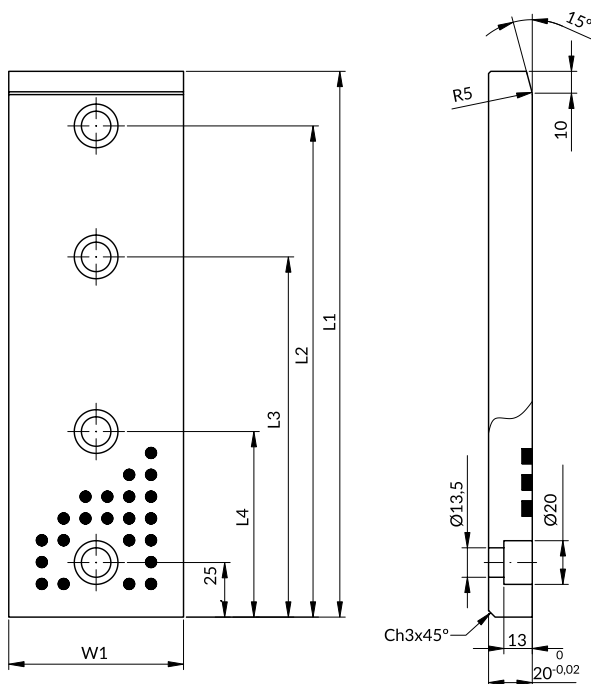


W1	L1	W2	L2	L3	D1	D2	T	Forma / Form
50	80	-	30	25	9	15	9	A
50	100	-	50	25	13,5	20	13	A
50	125	-	75	25	13,5	20	13	A
50	160	-	110	25	13,5	20	13	A
50	200	-	150	25	13,5	20	13	A
80	50	30	-	25	9	15	9	B
80	80	-	30	25	13,5	20	13	A
80	100	-	50	25	13,5	20	13	A
80	125	-	75	25	13,5	20	13	A
80	160	-	110	25	13,5	20	13	A
80	200	-	150	25	13,5	20	13	A
80	250	-	170	40	13,5	20	13	A
100	50	50	-	25	13,5	20	13	B
100	80	50	-	40	13,5	20	13	B
100	100	-	50	25	13,5	20	13	A
100	125	-	75	25	13,5	20	13	A
100	160	-	110	25	13,5	20	13	A
100	200	-	150	25	13,5	20	13	A
100	250	-	170	40	13,5	20	13	A
100	315	-	235	40	13,5	20	13	A
125	50	75	-	25	13,5	20	13	B
125	80	75	-	40	13,5	20	13	B
125	100	75	50	25	13,5	20	13	C
125	125	75	75	25	13,5	20	13	C
125	160	75	110	25	13,5	20	13	C
125	200	75	150	25	13,5	20	13	C
125	250	75	170	40	13,5	20	13	C
125	315	75	235	40	13,5	20	13	C
160	50	110	-	25	13,5	20	13	B
160	80	110	-	40	13,5	20	13	B
160	100	110	50	25	13,5	20	13	C
160	125	110	75	25	13,5	20	13	C
160	160	110	110	25	13,5	20	13	C
160	200	110	150	25	13,5	20	13	C
160	250	110	170	40	13,5	20	13	D
160	315	110	235	40	13,5	20	13	D

How to order: PBGW + W1*L1 / PSTW + W1*L1 / PACW + W1*L1

PLACA PBGZ
WEAR PLATE PBGZ

Material: Bronce + grafito / Bronze + Graphite
Dureza / Hardness: HB > 190



Standard: VDI 3357

W1	L1	L2	L3	L4
50	250	225	165	85
50	300	275	195	105
50	350	325	225	125
50	400	375	255	145
50	450	425	285	165
50	500	475	325	175
80	250	225	165	85
80	300	275	195	105
80	350	325	225	125
80	400	375	255	145
80	450	425	285	165
80	500	475	325	175
100	250	225	165	85
100	300	275	195	105
100	350	325	225	125
100	400	375	255	145

W1	L1	L2	L3	L4
100	450	425	285	165
100	500	475	325	175
125	250	225	165	85
125	300	275	195	105
125	350	325	225	125
125	400	375	255	145
125	400	375	255	145
125	450	425	285	165
125	500	475	325	175
160	250	225	165	85
160	300	275	195	105
160	350	325	225	125
160	400	375	255	145
160	450	425	285	165
160	500	475	325	175

How to order: PBGZ + W1*L1

PLACA PBGH - PACH
WEAR PLATE PBGH - PACH

PBGH



Material: Bronce + grafito / Bronze + graphite
Dureza / Hardness: HB > 190

PACH



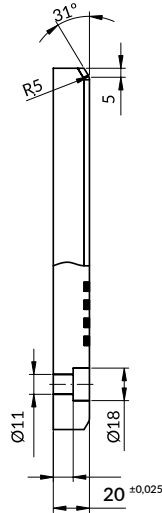
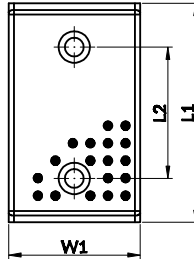
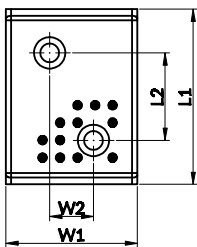
Material: Acero de cementación / Hardened steel
Dureza / Hardness: 62 ± 2 HRC

Forma A/ Form A

Forma B/ Form B

Form A

Form B



W1	L1	W2	L2	Form
28	75	-	45	B
28	100	-	50	B
28	125	-	75	B
28	150	-	100	B
28	200	-	150	B
38	75	-	45	B
38	100	-	50	B
38	125	-	75	B
38	150	-	100	B
38	200	-	150	B
48	75	-	45	B
48	100	-	50	B
48	125	-	75	B

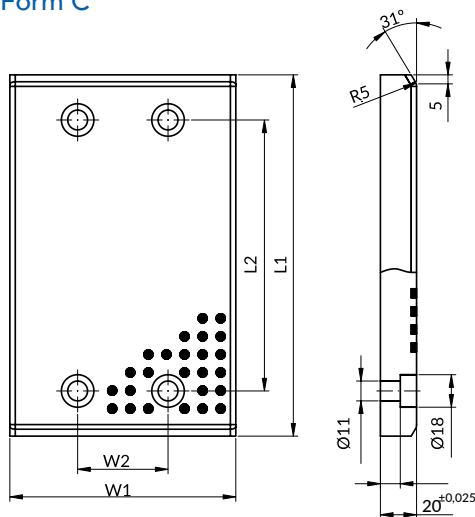
W1	L1	W2	L2	Form
48	150	-	100	B
48	200	-	150	B
58	75	-	45	B
58	100	-	50	B
58	150	-	100	B
75	75	25	25	A
75	100	25	50	A
75	125	-	75	B
75	150	-	100	B
75	200	-	150	B

How to order: PBGH + W1*L1
PACH + W1*L1

Continue next page...

PLACA PBGH - PACH
WEAR PLATE PBGH - PACH

Form C



W1	L1	W2	L2	Form
100	100	50	50	C
100	125	50	75	C
100	150	50	100	C
100	200	50	150	C
125	125	50	75	C
125	150	50	100	C
125	200	50	150	C
125	250	50	200	C
150	150	100	100	C
150	200	100	150	C
150	250	100	200	C
150	300	100	250	C

How to order: PBGH + W1*L1 / PACH + W1*L1

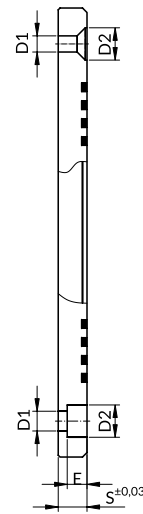
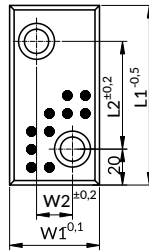
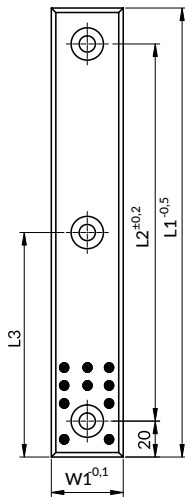
PLACA PBGE
WEAR PLATE PBGE

Material: Bronce + grafito / Bronze + graphite
Dureza / Hardness: HB > 190



Form A

Form B



i Recomendación de montaje / Assembly recommendation
S=8 : Tornillo / Screw TCO
S> 8 : Tornillo / Screw TCC

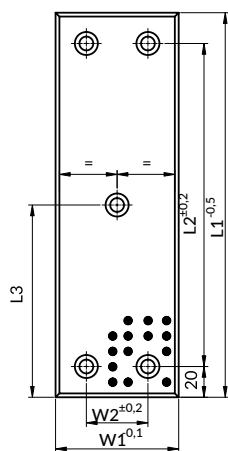
W1	W2	S	D1	D2	E	L1			L3	Form
						100	160	250		
30	-	12	9	15	9	L2=60	L2=120	-	-	A
30	-	12	9	15	9	-	-	L2=210	125	A
40	-	8	9	16,4	-	L2=60	L2=120	-	-	A
40	-	8	9	16,4	-	-	-	L2=210	125	A
40	-	12	9	15	9	L2=60	L2=120	-	-	A
40	-	12	9	15	9	-	-	L2=210	125	A
40	-	16	11	18	11	L2=60	L2=120	-	-	A
40	-	16	11	18	11	-	-	L2=210	125	A
50	20	20	13,5	20	13	L2=60	L2=120	-	-	B
60	30	16	11	18	11	L2=60	L2=120	-	-	B
80	40	12	9	15	9	L2=60	-	-	-	B
80	40	20	13,5	20	13	L2=60	-	-	-	B
100	60	16	11	18	11	L2=60	-	-	-	B

Continue next page...

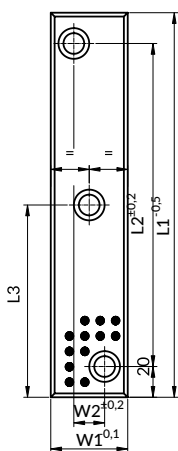
How to order: PBGE + W1*L1*S

PLACA PBGE
WEAR PLATE PBGE

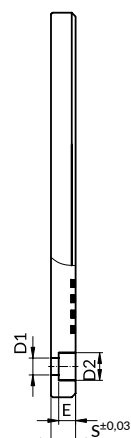
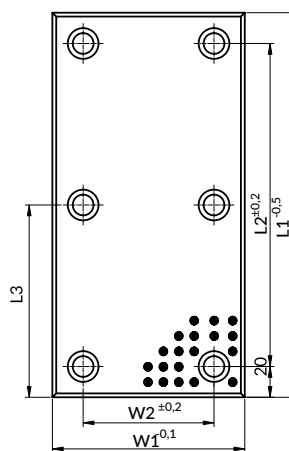
Form C



Form D



Form E



W1	W2	S	D1	D2	E	L1			L3	Form
						100	160	250		
50	20	20	13,5	20	13	-	-	L2=210	125	D
60	30	16	11	18	11	-	-	L2=210	125	D
80	40	12	9	15	9	-	L2=120	-	-	E
80	40	12	9	15	9	-	-	L2=210	125	C
80	40	20	13,5	20	13	-	L2=120	-	-	E
80	40	20	13,5	20	13	-	-	L2=210	125	C
100	60	16	11	18	11	-	L2=120	-	-	E
100	60	16	11	18	11	-	-	L2=210	125	E
125	85	20	13,5	20	13	L2=60	L2=120	-	-	E
125	85	20	13,5	20	13	-	-	L2=210	125	E

How to order: PBGE + W1*L1*S

PLACA PBGR - PACR
WEAR PLATE PBGR - PACR

PBGR



Material: **Bronce + grafito** / Bronze + graphite
Dureza / Hardness: **HB > 190**

PACR



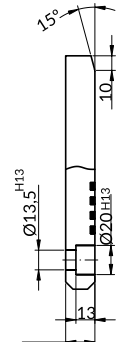
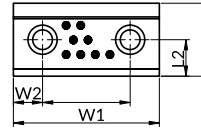
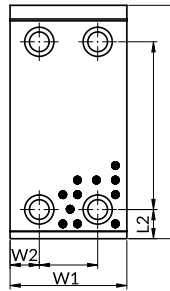
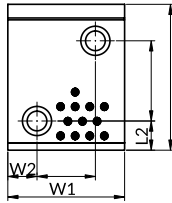
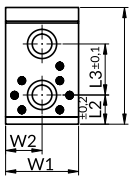
Material:
Acero de cementación / Hardened steel
Dureza / Hardness: **62 ± 2 HRC**

Form A

Form B

Form C

Form D



W1	L1	L2	L3	W2	W3	Form
50	80	20	35	25	-	A
50	100	20	55	25	-	A
50	125	20	80	25	-	A
50	160	20	115	25	-	A
50	200	20	155	25	-	A
80	100	20	55	20	40	B
80	125	20	80	20	40	B
80	160	20	115	20	40	C
80	200	20	155	20	40	C
100	50	25	-	20	60	D
100	80	20	35	20	60	B
100	100	20	55	20	60	B

W1	L1	L2	L3	W2	W3	Form
100	125	20	80	20	60	C
100	160	20	115	20	60	C
100	200	20	155	20	60	C
125	80	20	35	20	85	B
125	100	20	55	20	85	C
125	125	20	80	20	85	C
125	160	20	115	20	85	C
125	200	20	155	20	85	C
160	100	20	55	20	120	C
160	125	20	80	20	120	C
160	160	20	115	20	120	C

How to order: PBGR + W1*L1 / PACR + W1*L1

ESCUADRA EBGW
ANGULAR GUIDE EBGW

Material: Bronce + grafito / Bronze + graphite
 Dureza / Hardness: HB > 190

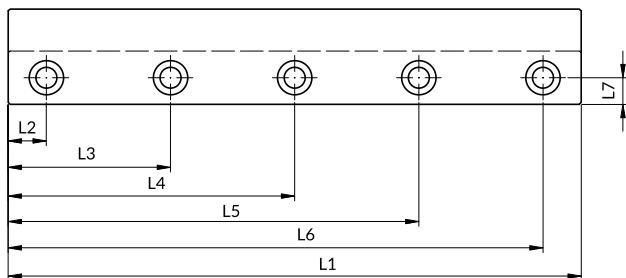
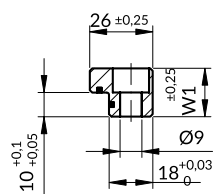
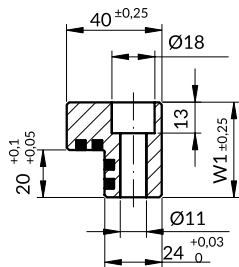
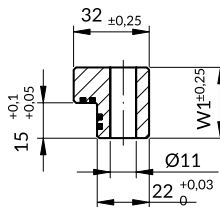
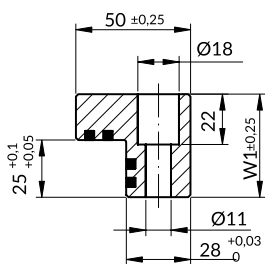


Form A

Form B

Form C

Form D



W1	L1	L2	L3	L4	L5	L6	L7	Form
20	100	20	80	-	-	-	9	D
20	150	20	75	130	-	-	9	D
20	200	20	75	125	180	-	9	D
30	100	20	80	-	-	-	11	B
30	150	20	75	130	-	-	11	B
30	200	20	75	125	180	-	11	B
30	250	20	90	160	230	-	11	B
40	160	15	145	-	-	-	12	C
40	250	15	145	225	-	-	12	C
45	200	20	75	125	180	-	14	A
45	250	20	90	160	230	-	14	A
45	300	20	85	150	215	280	14	A
45	350	20	100	175	250	330	14	A

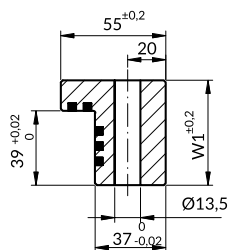
How to order: EBGW + W1*L1

ESCUADRA EBGW
ANGULAR GUIDE EBGW

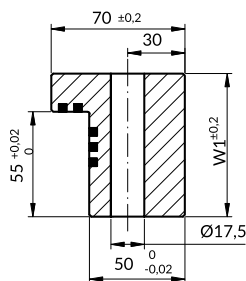
Material: Bronce + grafito / Bronze + graphite
Dureza / Hardness: HB > 190



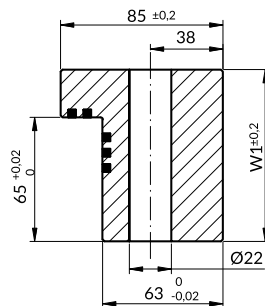
Form E



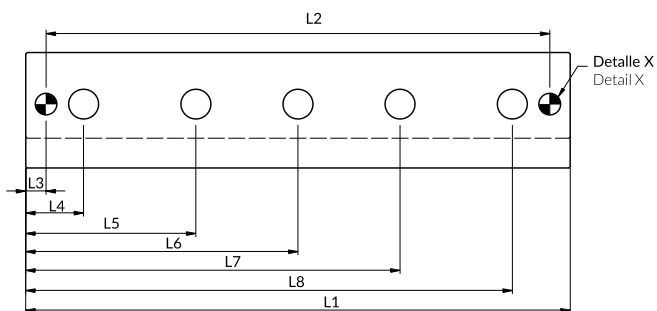
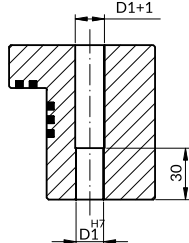
Form F



Form G



Detalle X / Detail X
Forma E + G / Form E + G



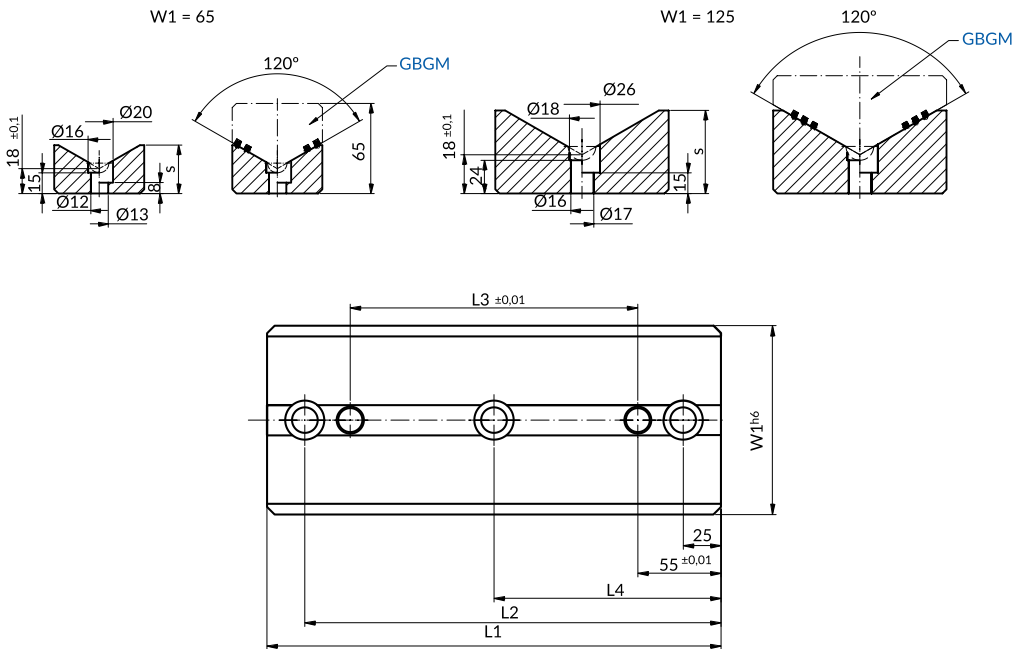
W1	L1	L3	L2	L4	L5	L6	L7	L8	D1	Form
55	100	10	80	27,5	-	-	-	72,5	10	E
55	160	10	140	27,5	-	-	-	132,5	10	E
75	160	12,5	135	35	-	-	-	125	12	F
75	200	12,5	175	35	-	-	-	165	12	F
75	250	12,5	225	35	-	125	-	215	12	F
75	400	12,5	375	35	125	200	275	365	12	F
90	160	15	130	42,5	-	-	-	117,5	16	G
90	200	15	170	42,5	-	-	-	157,5	16	G
90	250	15	220	42,5	-	125	-	207,5	16	G
90	400	15	370	42,5	125	200	275	357,5	16	G

How to order: EBGW + W1*L1

GUÍA "V" GACH
"V" DRIVER GACH

Material: CK 45

Dureza en superficie de deslizamiento / Sliding surface hardness: 58-60 HRC



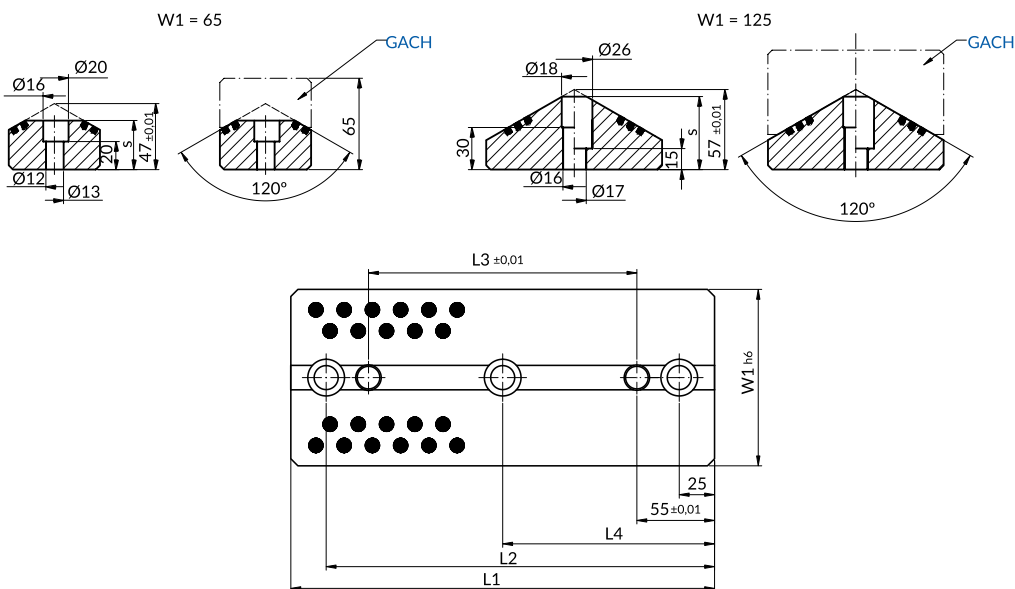
Standard: VDI 3357

W1	S	L1	L2	L3	L4
65	35	150	125	45	-
65	35	200	175	95	-
65	35	250	225	145	125
65	35	300	275	195	150
125	60	150	125	45	-
125	60	200	175	95	-
125	60	250	225	145	125
125	60	300	275	195	150

How to order: GACH + W1*L1

GUÍA "V" GBGM
"V" DRIVER GBGM

Material: Bronce + grafito / Bronze + graphite
 Dureza / Hardness: HB > 190



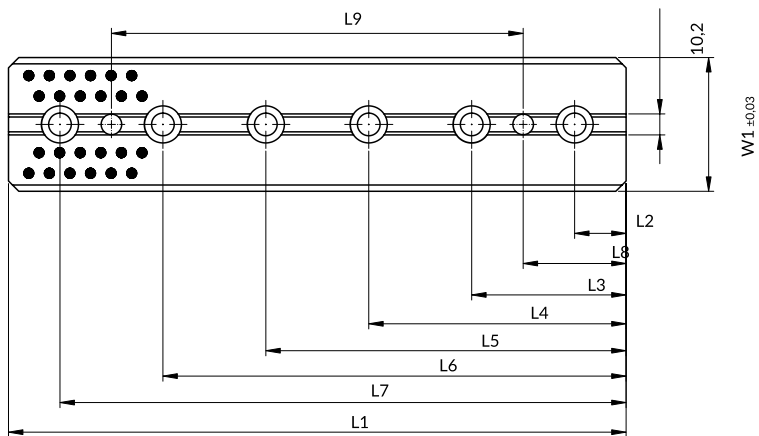
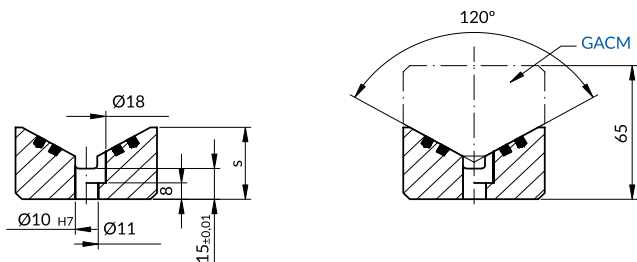
Standard: VDI 3357

W1	S	L1	L2	L3	L4
65	44	150	125	45	-
65	44	200	175	95	-
65	44	250	225	145	125
65	44	300	275	195	150
125	52	150	125	45	-
125	52	200	175	95	-
125	52	250	225	145	125
125	52	300	275	195	150

How to order: GBGM + W1*L1

GUÍA "V" GBGH
"V" DRIVER GBGH

Material: Bronce + grafito / Bronze + graphite
 Dureza / Hardness: HB > 190



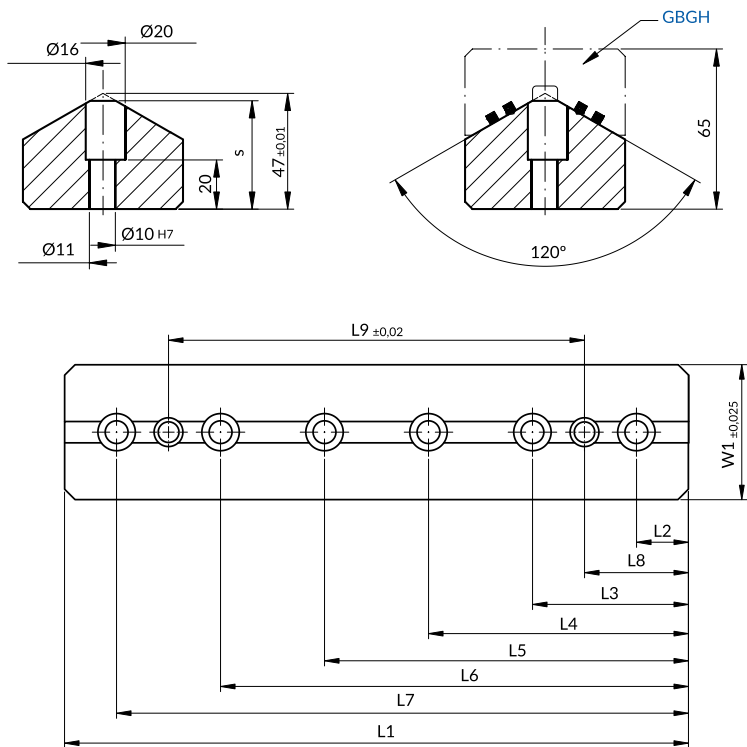
W1	S	L1	L2	L3	L4	L5	L6	L7	L8	L9
65	35	100	20	80	-	-	-	-	40	20
65	35	150	25	75	125	-	-	-	50	50
65	35	200	25	75	125	175	-	-	50	100
65	35	250	25	75	125	175	225	-	50	150
65	35	300	25	75	125	175	225	275	50	200

How to order: GBGH + W1*L1

GUÍA "V" GACM "V" DRIVER GACM

Material: CK 45

Dureza en superficie de deslizamiento / Sliding surface hardness: 58-60 HRC



W1	S	L1	L2	L3	L4	L5	L6	L7	L8	L9
65	44	100	20	80	-	-	-	-	40	20
65	44	150	25	75	125	-	-	-	50	50
65	44	200	25	75	125	175	-	-	50	100
65	44	250	25	75	125	175	225	-	50	150
65	44	300	25	75	125	175	225	275	50	200

How to order: GACM + W1*L1

GUÍA CARRO GBGO - GACO
CAM WEAR PLATE GBGO - GACO

GBGO

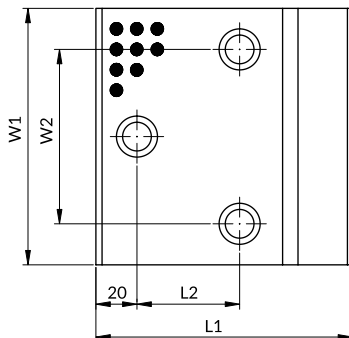
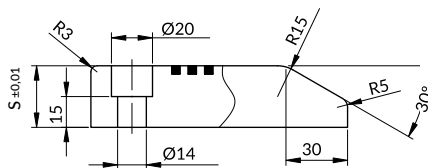


Material: Bronce + grafito / Bronze + graphite
 Dureza / Hardness: HB > 190

GACO



Material: 42CrMo4
 Dureza / Hardness: 58-60 HRC



W1	S	L1	W2	L2
100	30	125	60	50
125	30	125	85	50
160	30	125	120	50
100	45	150	60	45
125	45	150	85	45
160	45	150	120	45
100	60	170	60	45
125	60	170	85	45
160	60	170	120	45

How to order: G_O + W1*L1*S

GUÍA CARRO GBGW - GACW
CAM WEAR PLATE GBGW - GACW

GBGW

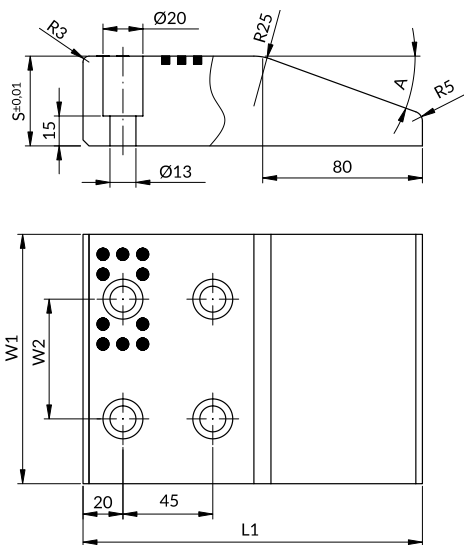


GACW



Material **Bronce + grafito** / Bronze + graphite
 Dureza / Hardness: **HB > 190**

Material: **1.2379**
 Dureza / Hardness: **58-62 HRC**



Standard: VDI 3357

W1	S	L1	W2	A
100	45	150	60	20°
125	45	150	85	20°
150	45	150	110	20°
100	45	170	60	20°
125	45	170	85	20°
150	45	170	110	20°
100	60	170	60	30°
125	60	170	85	30°
150	60	170	110	30°

How to order: GBGW + W1*L1*S / GACW + W1*L1*S